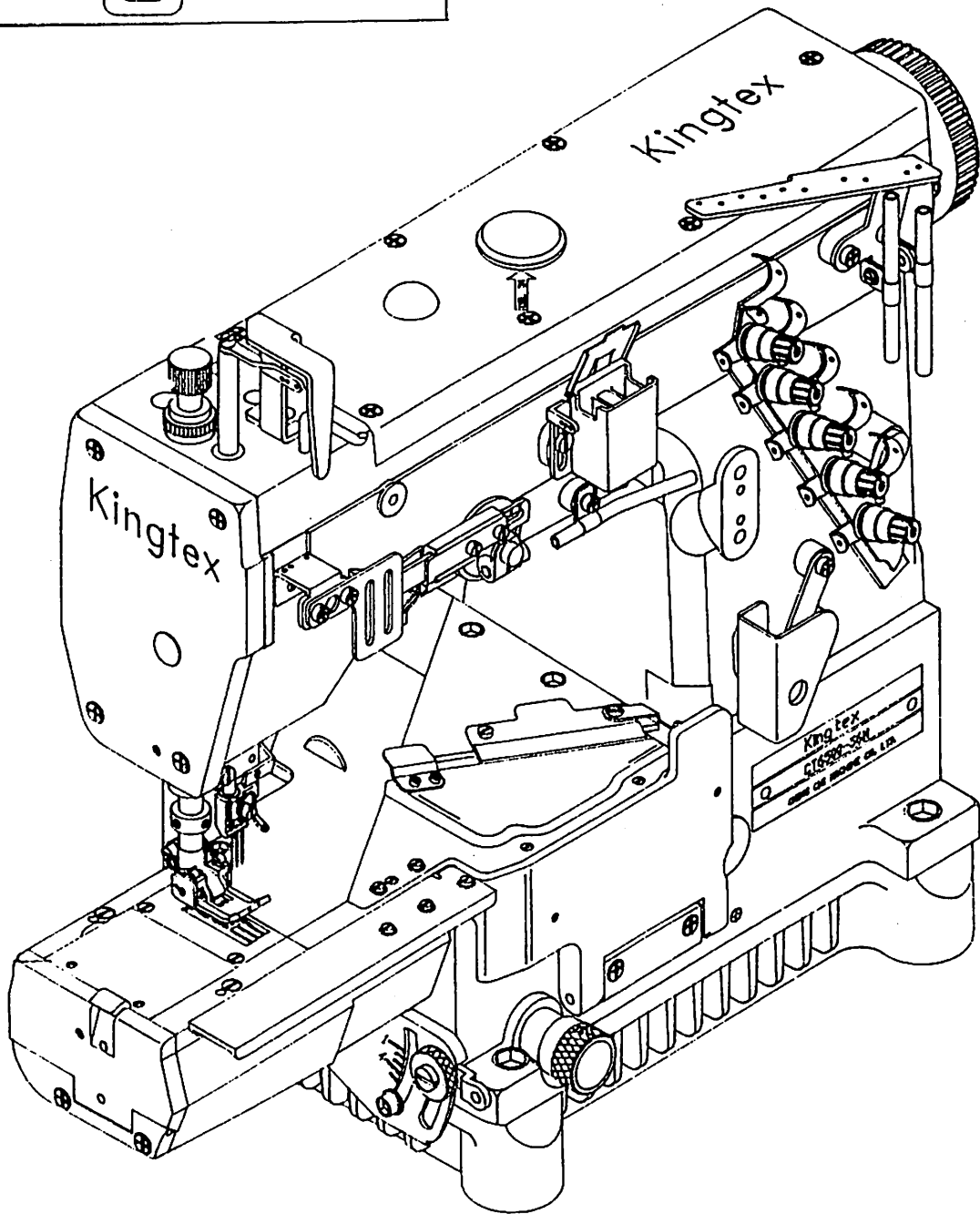


Ver.2.0 1995.11

NO. CT6300-1-95-4

Kingtex®



ILLUSTRATED PARTS LIST FOR
MODELS CT4600 CT4700 CT6200 CT6500

零件列表說明書



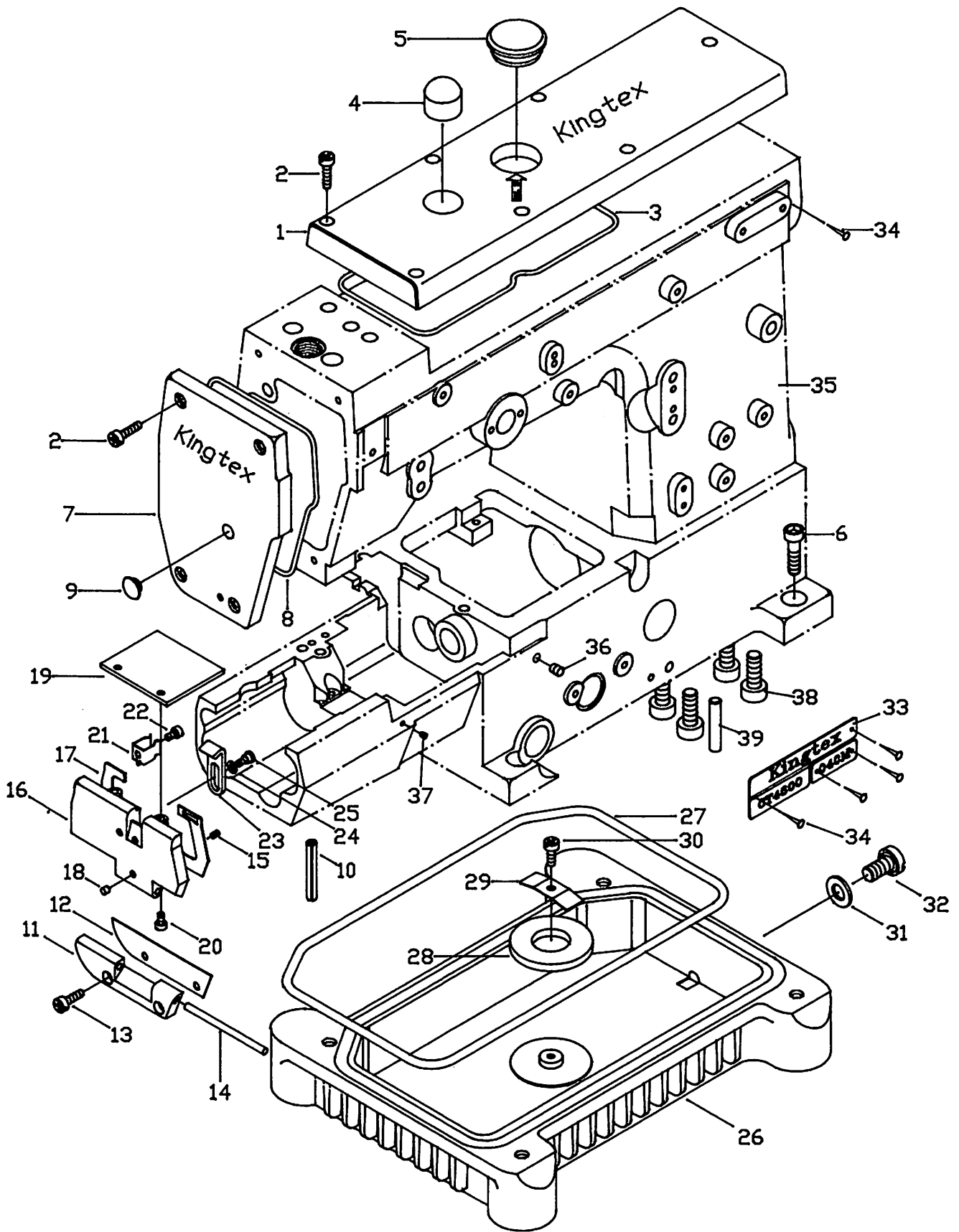
精機機械廠股份有限公司

From the library of Superior Sewing Machine & Supply LLC.
CHING CHU MACHINE CO., LTD.

CONTENTS

頁次

1.	本體與外裝零件 Frame Components (一)	-----	1
2.	本體與外裝零件 Frame Components (二)	-----	3
3.	導針與張力調整零件CT6500用	-----	5
	Thread Guide And Tension Components For CT6500		
	導針與張力調整零件CT6200用	-----	7
	Thread Guide And Tension Components For CT6200		
	導針與張力調整零件CT4700用	-----	9
	Thread Guide And Tension Components For CT4700		
	導針與張力調整零件CT4600用	-----	11
	Thread Guide And Tension Components For CT4600		
4.	軸襯與油封 Bushing And Seal	-----	13
5.	下軸與相關零件 Lower Main Shaft Components	-----	15
6.	上軸與相關零件 Upper Main Shaft Components	-----	17
7.	針棒與相關零件 Needle Bar Components	-----	19
8.	壓腳與相關零件 Presser Foot Components	-----	21
9.	裝飾線驅動機構 CT6200,CT6500 專用	-----	23
	Spreader Mechanism CT6200,CT6500 Only		
10.	結線鉤驅動機構 Looper Driving Mechanism	-----	25
11.	進給變換機構 Feed Control Driving	-----	27
12.	導針與送布齒驅動機構 Needle Guide And Feed Dog Driving	-----	29
13.	潤滑系統 Lubrication System	-----	31
14.	TS5 線架 Thread Stand TS5(6705)	-----	33
15.	裝載附件 Table Components	-----	35
16.	工具及附件 Accesserise	-----	37

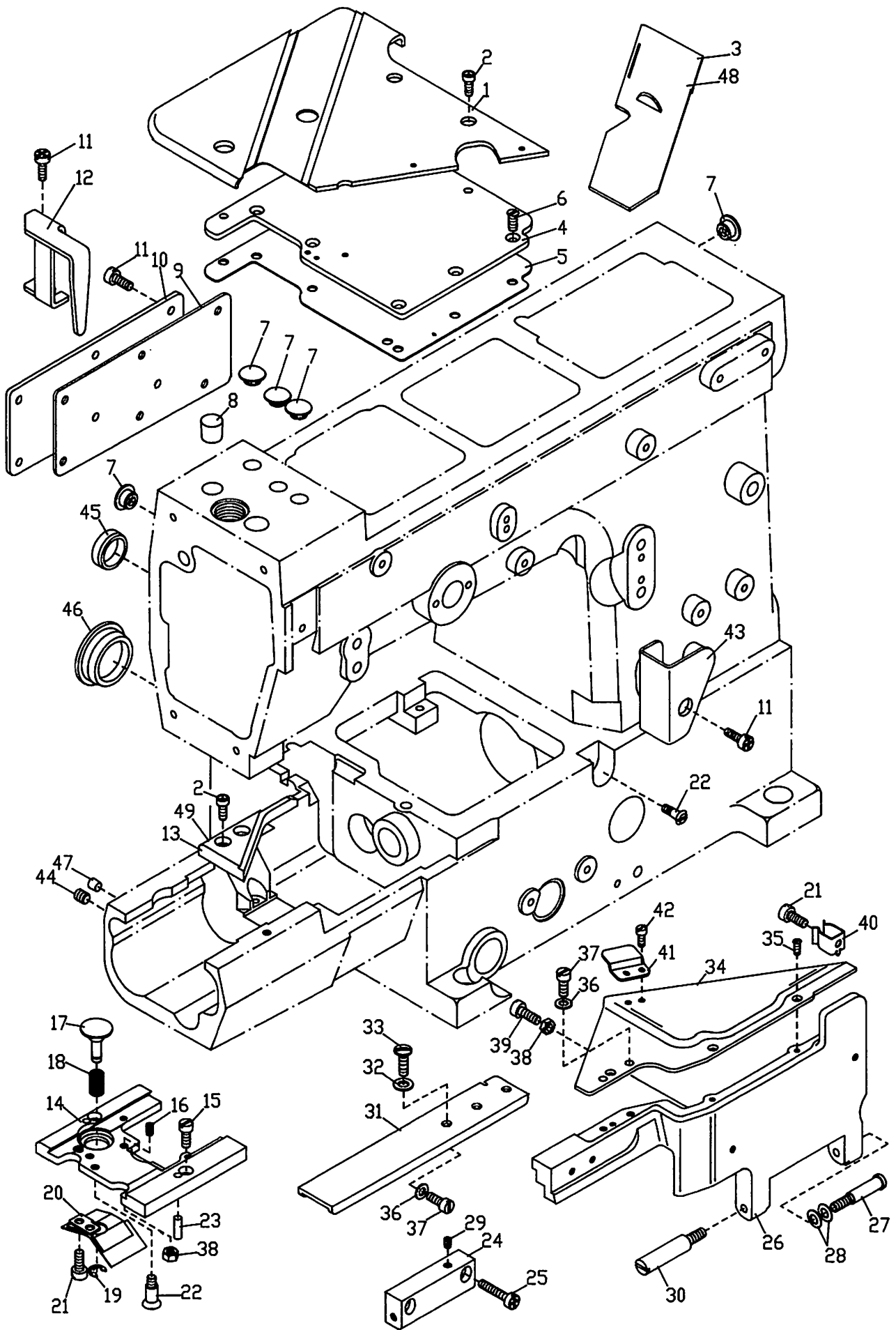


33. 車型銘板列表 Model Plate List

車型 MODEL	零件編號 PARTS NUM.	車型 MODEL	零件編號 PARTS NUM.
CT4600-40M	6472-1	CT6200-40M	6472-6
CT4600-48M	6472-2	CT6200-48M	6472-7
CT4600-56M	6472-3	CT6200-56M	6472-8
CT4700-56M	6472-4	CT6500-56M	6472-9
CT4700-64M	6472-5	CT6500-64M	6472-10

1. 本體與外裝零件 Frame Components (一)

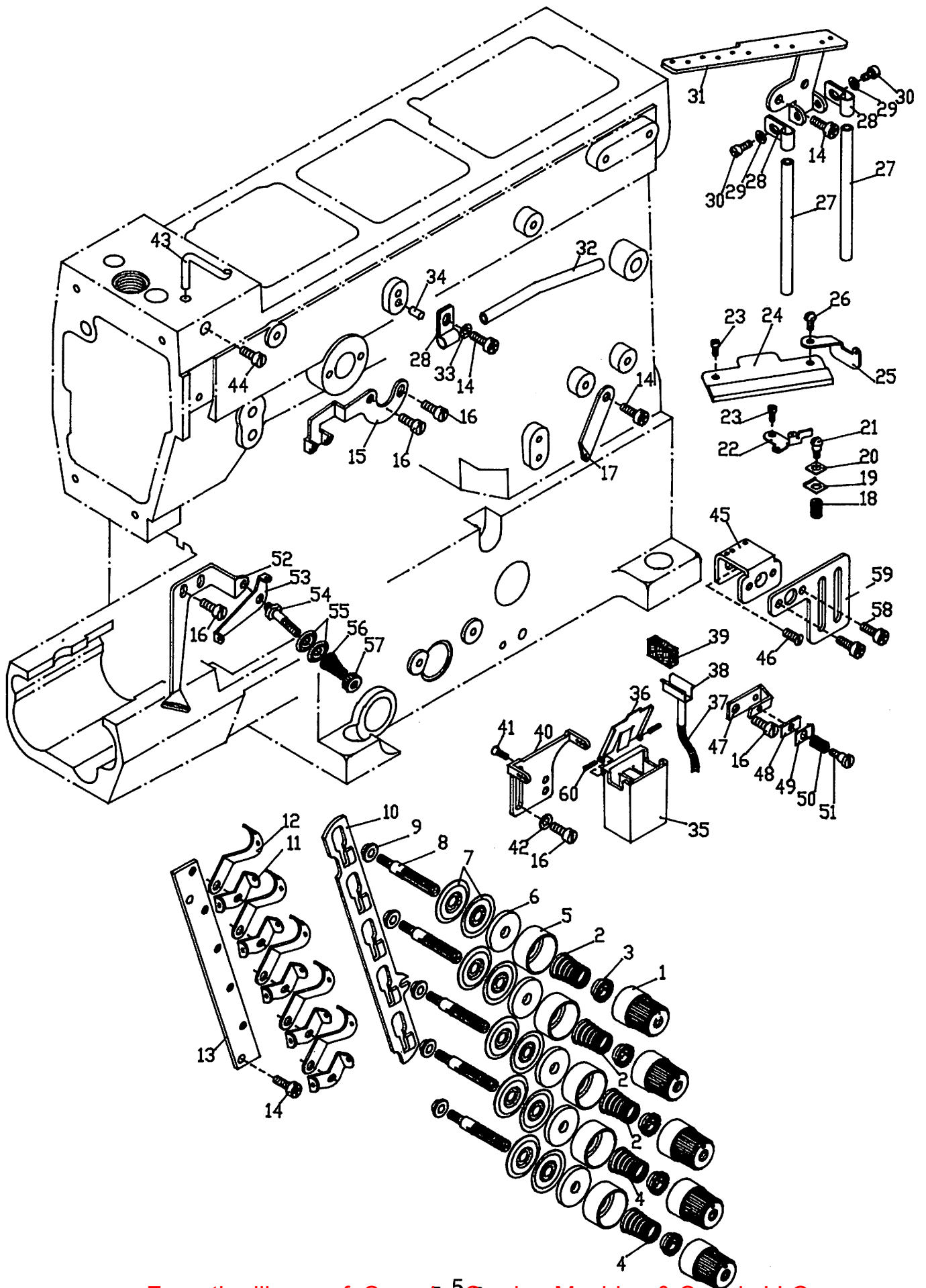
序號 Ref.No.	圖號 Parts No.	名稱 Description	單位用量 Amt.Req.
1	C000101C200	上軸蓋 Top Cover	1
2	MC04281207D	螺絲 Screw	11
3	C000103A600	油封 Gasket	1
4	C000104B600	油鏡 Oil Window	1
5	C000105A600	孔塞 Plug	1
6	MM08502013A	螺絲 Screw	4
7	C000107D200	針棒蓋 Needle Cover	1
8	C000108A600	油封 Gasket	1
9	C000109A600	孔塞 Plug	1
10	C000110SP	下座腳樁 Supporting Bar	4
11	C000111C200	絞鏈 Hinge	1
12	C000112G700	油封 Gasket	1
13	MC04281007D	螺絲 Screw	2
14	C000114D300	樞銷 Hinge Pin	1
15	MN03200300A	螺絲 Screw	1
16	C000116C200	下油側蓋 Side Cover	1
17	C000117G700	油封 Gasket	1
18	C000118A600	橡膠護墊 Rubber Cushion	1
19	C000119B700	防塵蓋 Dust Cover	1
20	MB04280807K	螺絲 Screw	2
21	C000121N700	夾簧 Latch Spring	1
22	MC04280507D	螺絲 Screw	1
23	C000123B700	閉鎖鉤 Close Hook	1
24	C000124DW	孟形墊圈 Disc Washer	1
25	MB04280910G	螺樁 Stud	1
26	C000126C200	油盤 Oil Reservoir	1
27	C000127A600	油封 Gasket	1
28	C000128B900	磁鐵 Magnet	1
29	C000129B700	壓板 Holder	1
30	MC04280807D	螺絲 Screw	1
31	6030244A600	油封 Seal	1
32	6030243C300	螺樁 Stud	1
33	6472	車型銘板 Model Plate(See Left Page)	1
34	6620	鉚釘 Rivet	5
35	C000135A200	車頭 Frame Unit	1
36	C000136H300	孔塞 Plug	1
37	C000137H200	孔塞 Plug	1
38	MM10603016A	螺絲 Screw	1
39	C000138ST	定位銷 Knock Pin	2



2. 本體與外裝零件 Frame Components (二)

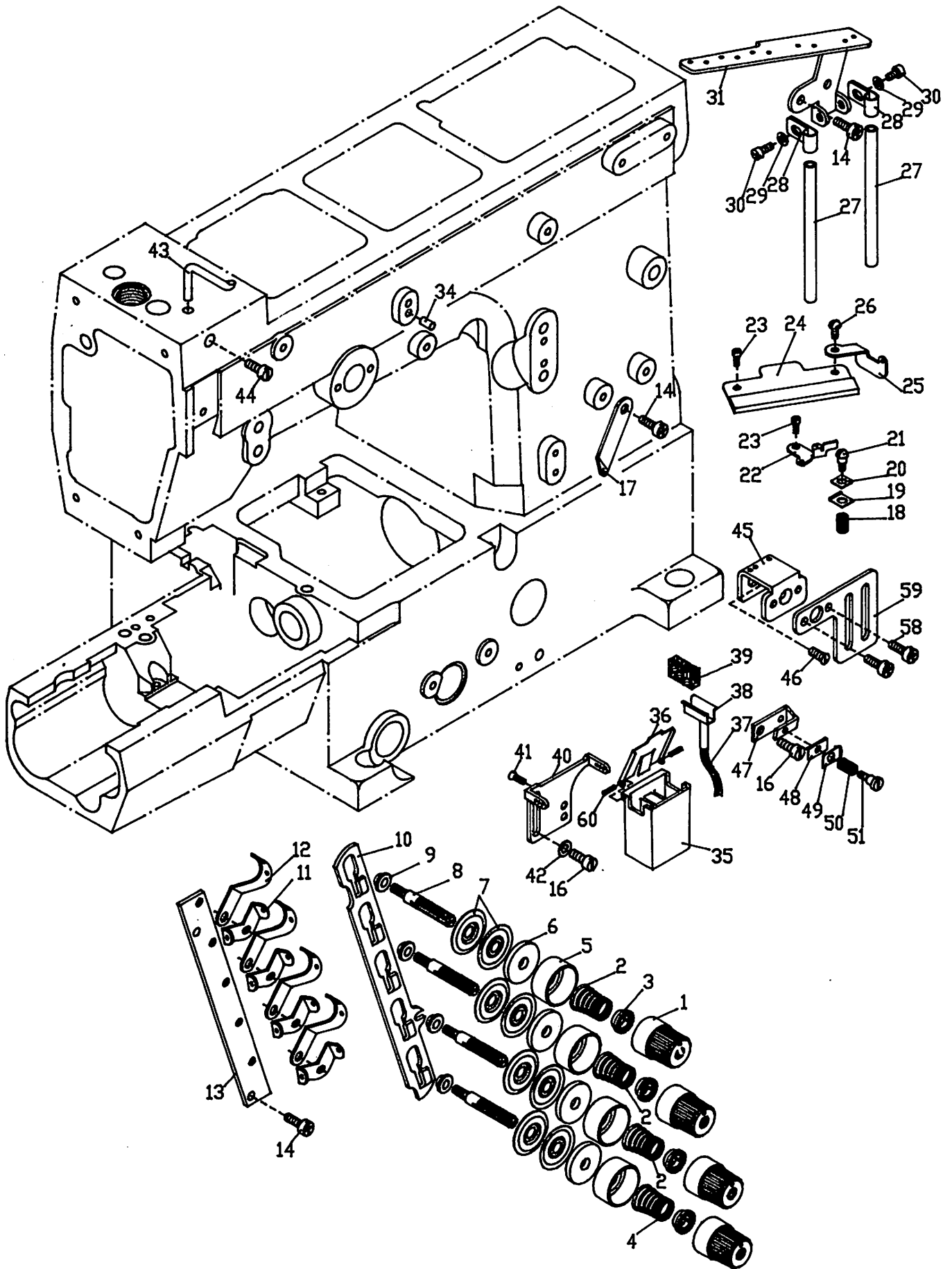
序號 Ref.No.	圖號 Parts No.	名稱 Description	單位用量 Amt. Req.
1	C000201B700	下軸外蓋 Cloth Plate	1
2	MM04281207A	螺絲 Screw	5
3	C000203B700	防塵蓋 Dust Cover	1
4	C000204B700	下軸內蓋 Lower Shaft Cover	1
5	C000205G700	油封 Gasket	1
6	ME04280708A	螺絲 Screw	7
7	C000109A600	孔塞 Plug	5
8	C000208A600	孔塞 Plug	1
9	C000209G700	油封 Gasket	1
10	C000210B700	上軸背蓋 Rear Cover	1
11	MC04280807D	螺絲 Screw	9
12	C000212B700	針棒護蓋 Needle Bar Protector	1
13	C000213C200	滑道 Guide	1
14	C000214E200	針板座 Needle Plate Seat	1
15	MB04280807K	螺絲 Screw	2
16	MN04281000A	螺絲 Screw	1
17	C000217D300	按鈕 Push Button	1
18	C000218B800	彈簧 Spring	1
19	C000219ER	E形扣環 E Ring	1
20	C000220B700	油封 Oil Defender	1
21	MC04280507D	螺絲 Screw	3
22	MD04281508C	螺樁 Stud	2
23	C000223ST	定位銷 Knock Pin	2
24	C000224C200	絞鏈 Hinge	1
25	MC04281407D	螺絲 Screw	2
26	C000226C200	下座前蓋 Front Cover	1
27	MB04283809E	螺樁 Stud	1
28	C000228DW	孟形墊圈 Disk Washer	2
29	MN04280400A	螺絲 Screw	1
30	MB04280605N	螺樁 Stud	1
31	C000231B700	輔助緣板 Auxiliary Cloth Plate	1
32	C000232PW	墊圈 Washer	1
33	MB05321008K	螺絲 Screw	2
34	C000234B700	護線蓋 Cloth Plate	1
35	ME03200606A	螺絲 Screw	3
36	C000236PW	墊圈 Washer	4
37	MB04280807K	螺絲 Screw	4
38	MA04280307B	螺帽 Nut	2
39	MB04281207K	螺絲 Screw	1
40	C000121N700	夾簧 Latch Spring	1
41	C000241B700	護線板 Thread Protect Plate	1
42	MD03200306A	螺絲 Screw	2
43	C000243B700	底線護線罩 Thread Protect Plate	1
44	MN06400600A	螺絲 Screw	1
45	C000245A600	孔塞 Plug	1
46	C000246A600	孔塞 Plug	1
47	C000247A600	孔塞 Plug	2
*48	C000248B700	防塵蓋 Dust Cover	1
*49	C000249C200	滑道 Guide	1

* FOR CT6500-064M CT4600-064M



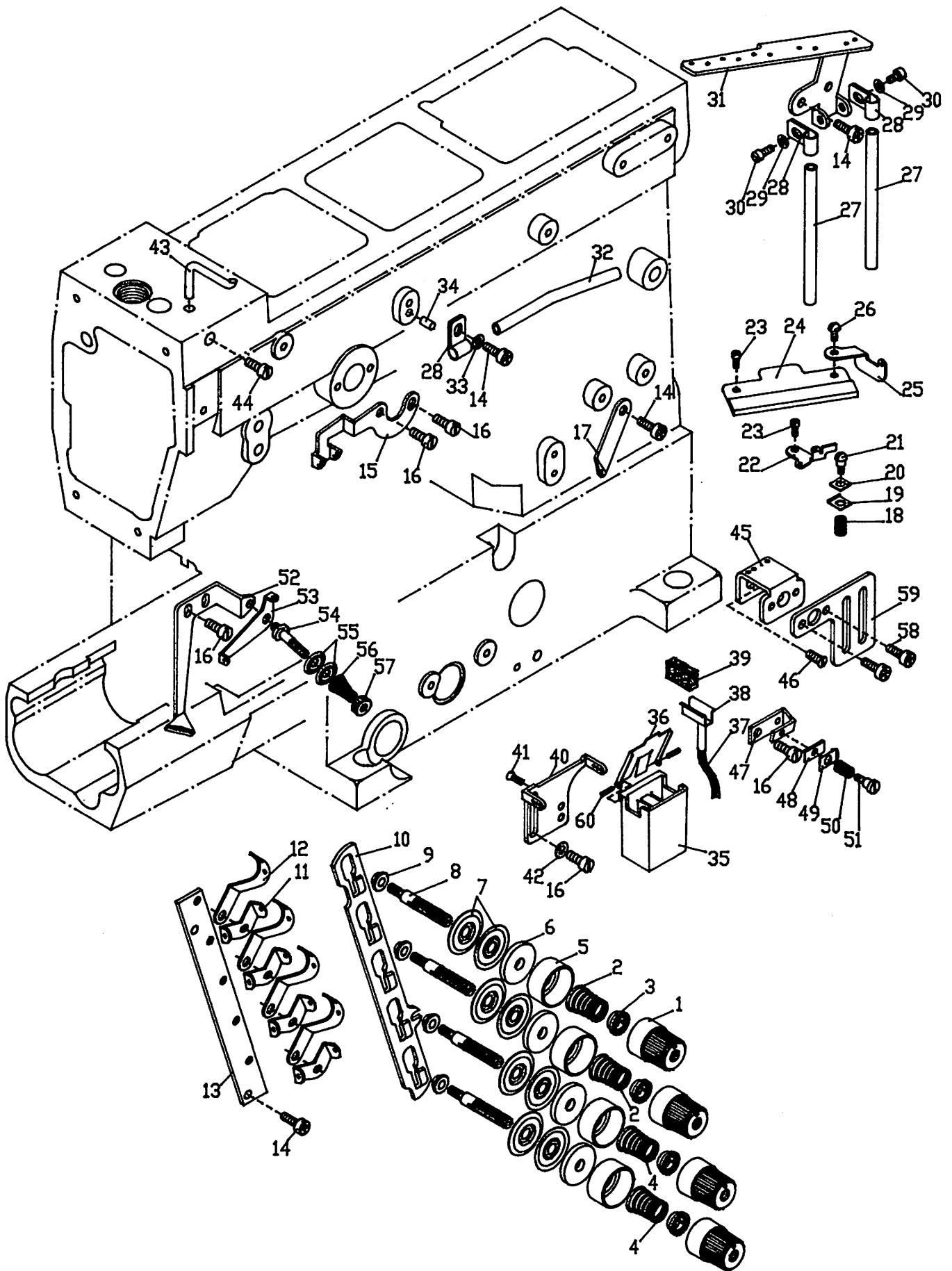
3. 導針與張力調整零件 Thread Guide And Tension Components CT6500用 For CT6500

序號 Ref.No.	圖號 Parts No.	名稱 Description	單位 Amt.	用量 Req.
1	6031121D600	張力調整螺帽 Tension Nut	-----	5
2	6031123A800	彈簧 Spring (Red)	-----	3
3	6031122D600	套管 Bushing	-----	5
4	6031132A800	彈簧 Spring (Yellow)	-----	2
5	6031125D600	彈簧座 Spring Seat	-----	5
6	6031127L700	羊毛氈 Felt	-----	5
7	6031126D700	張力控制盤 Tension Disc	-----	10
8	C000308C300	螺樁 Stud	-----	5
9	C000309D300	隔環 Spacer	-----	5
10	C000310B700	鬆線滑板 Release Wedge	-----	1
11	C000311B700	導線 Thread Guide	-----	5
12	C000312B700	導線 Thread Guide	-----	5
13	C000313B700	張力控制組座 Tension Post Support	----	1
14	MC04280807D	螺絲 Screw	-----	6
15	C000315B700	導線 Thread Guide	-----	1
16	MB04280807K	螺絲 Screw	-----	6
17	C000317B700	導線 Thread Guide	-----	1
18	C000318A800	彈簧 Spring	-----	1
19	C000319B700	底線控制板 Thread Guide	-----	1
20	C000320B700	底線控制壓板 Tension Control plate	---	1
21	MD03201006B	螺樁 Stud	-----	1
22	C000322B700	導線 Thread Guide	-----	1
23	MD03200306A	螺絲 Screw	-----	2
24	C000324B700	導線 Thread Guide	-----	1
25	C000325B700	導線 Thread Guide	-----	1
26	MD03200606A	螺絲 Screw	-----	1
27	C000327D300	導線管 Thread Guide Pipe	-----	2
28	C000328B700	導線管夾 Thread Guide Pipe Clamp	-----	3
29	C000329PW	墊圈 Washer	-----	2
30	MB04280807K	螺絲 Screw	-----	2
31	C000331B700	導線架 Thread Guide Plate	-----	1
32	C000332D300	導線管 Thread Guide Pipe	-----	1
33	C000333PW	墊圈 Washer	-----	1
34	C000223ST	定位銷 Knock Pin	-----	1
35	C000335D200	油杯 Cooler Oil Tank	-----	1
36	C000336D700	油杯蓋 Cooler Oil Tank Cover	-----	1
37	6800	油線 Oil Wick	-----	1
38	C000338B700	線夾 Wick Clamp	-----	1
39	C000339L700	羊毛氈 Felt	-----	1
40	C000340B700	導線 Thread Guide	-----	1
41	ME03200506A	螺絲 Screw	-----	2
42	C000236PW	墊圈 Washer	-----	1
43	C000343A800	針線助導桿 Needle Thread Guide	-----	1
44	MB04280807K	螺絲 Screw	-----	1
45	C000345B700	導線 Thread Guide	-----	1
46	ME04280708A	螺絲 Screw	-----	1
47	C000347B700	張力控制組座 Thread Retainer Support	-	1
48	C000348B700	針線控制板 Thread Guide Plate	-----	1
49	C000349B700	針線控制壓板 Tension Control plate	---	1
50	C000350A800	彈簧 Spring	-----	1
51	MC03200807G	螺樁 Stud	-----	1
52	C000352B700	導線 Thread Guide	-----	1
53	C000353B700	導線 Thread Guide	-----	1
54	C000354C300	螺樁 Stud	-----	1
55	C000355B700	張力控制盤 Tension Disc	-----	2
56	C000356A800	彈簧 Spring	-----	1
57	C000357D300	螺帽 Nut	-----	1
58	MB04280507D	螺絲 Screw	-----	2
59	C000359B700	楊線臂護線罩 Takeup Arm Protect	-----	1
60	C000360SP	彈簧銷 Spring Pin	-----	2



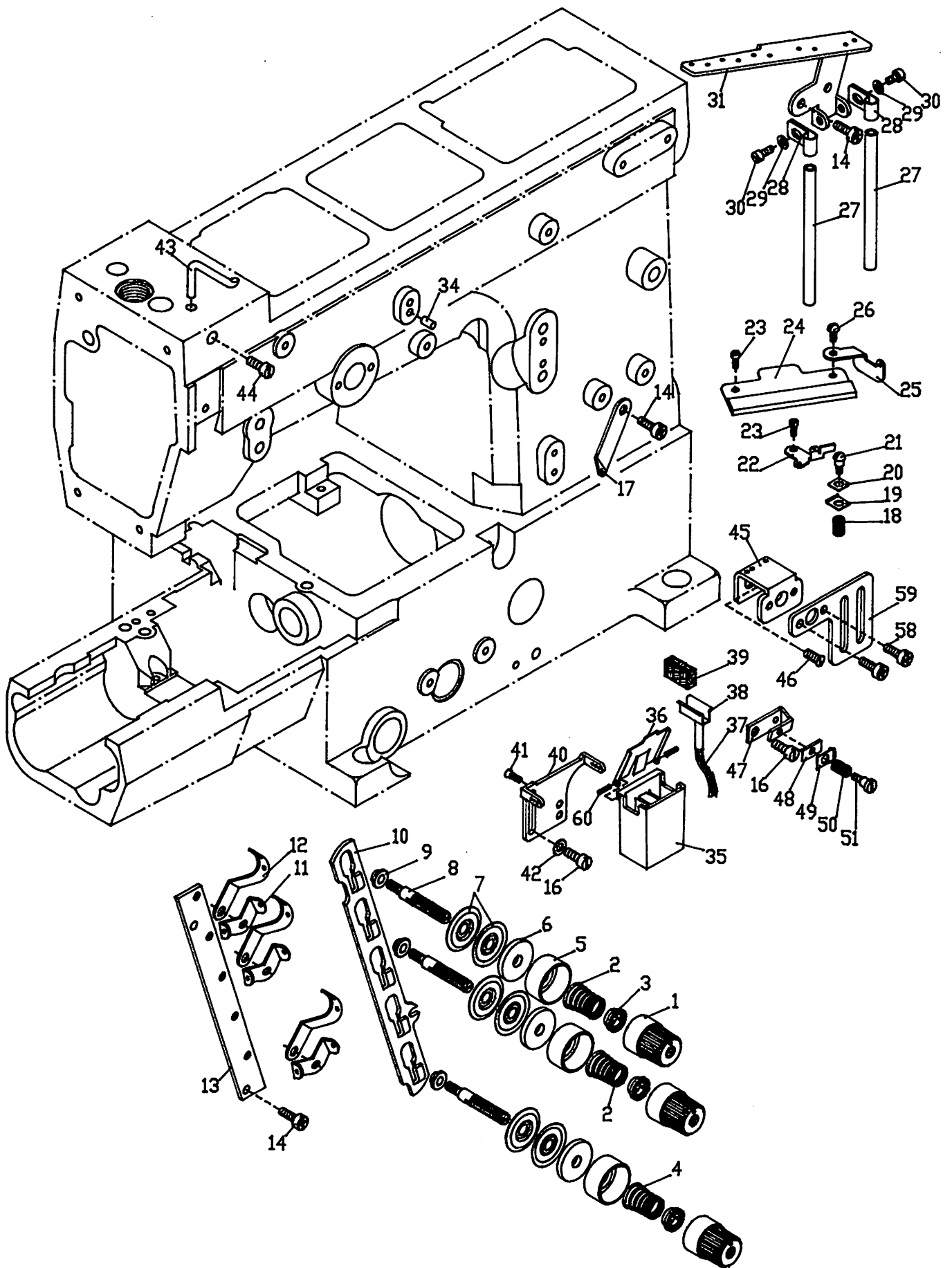
3. 導針與張力調整零件 Thread Guide And Tension Components CT4700用 For CT4700

序號 Ref.No.	圖號 Parts No.	名稱 Description	單位用量 Amt. Req.
1	6031121D600	張力調整螺帽 Tension Nut	4
2	6031123A800	彈簧 Spring (Red)	3
3	6031122D600	套管 Bushing	4
4	6031132A800	彈簧 Spring (Yellow)	1
5	6031125D600	彈簧座 Spring Seat	4
6	6031127L700	羊毛氈 Felt	4
7	6031126D700	張力控制盤 Tension Disc	8
8	C000308C300	螺樁 Stud	4
9	C000309D300	隔環 Spacer	4
10	C000310B700	鬆線滑板 Release Wedge	1
11	C000311B700	導線 Thread Guide	4
12	C000312B700	導線 Thread Guide	4
13	C000313B700	張力控制組座 Tension Post Support	1
14	MC04280807D	螺絲 Screw	5
15	-----	-----	-----
16	MB04280807K	螺絲 Screw	2
17	C000317B700	導線 Thread Guide	1
18	C000318A800	彈簧 Spring	1
19	C000319B700	底線控制板 Thread Guide	1
20	C000320B700	底線控制壓板 Tension Control plate	1
21	MD03201006B	螺樁 Stud	1
22	C000322B700	導線 Thread Guide	1
23	MD03200306A	螺絲 Screw	2
24	C000324B700	導線 Thread Guide	1
25	C000325B700	導線 Thread Guide	1
26	MD03200606A	螺絲 Screw	1
27	C000327D300	管 Thread Guide Pipe	2
28	C000328B700	導線管夾 Thread Guide Pipe Clamp	2
29	C000329PW	墊圈 Washer	2
30	MB04280807K	螺絲 Screw	2
31	C000331B700	導線架 Thread Guide Plate	1
32	-----	-----	-----
33	-----	-----	-----
34	C000223ST	定位銷 Knock Pin	1
35	C000335D200	油杯 Cooler Oil Tank	1
36	C000336D700	油杯蓋 Cooler Oil Tank Cover	1
37	6800	油線 Oil Wick	1
38	C000338B700	線夾 Wick Clamp	1
39	C000339L700	羊毛氈 Felt	1
40	C000340B700	導線 Thread Guide	1
41	ME03200506A	螺絲 Screw	2
42	C000236PW	墊圈 Washer	1
43	C000343A800	針線助導桿 Needle Thread Guide	1
44	MB04280807K	螺絲 Screw	1
45	C000345B700	導線 Thread Guide	1
46	ME04280708A	螺絲 Screw	1
47	C000347B700	張力控制組座 Thread Retainer Support	1
48	C000348B700	針線控制板 Thread Guide	1
49	C000349B700	針線控制壓板 Tension Control plate	1
50	C000350A800	彈簧 Spring	1
51	MC03200807G	螺樁 Stud	1
52	-----	-----	-----
53	-----	-----	-----
54	-----	-----	-----
55	-----	-----	-----
56	-----	-----	-----
57	-----	-----	-----
58	MB04280507D	螺絲 Screw	2
59	C000359B700	楊線臂護線罩 Takeup Arm Protect	1
60	C000360SP	彈簧銷 Spring Pin	2



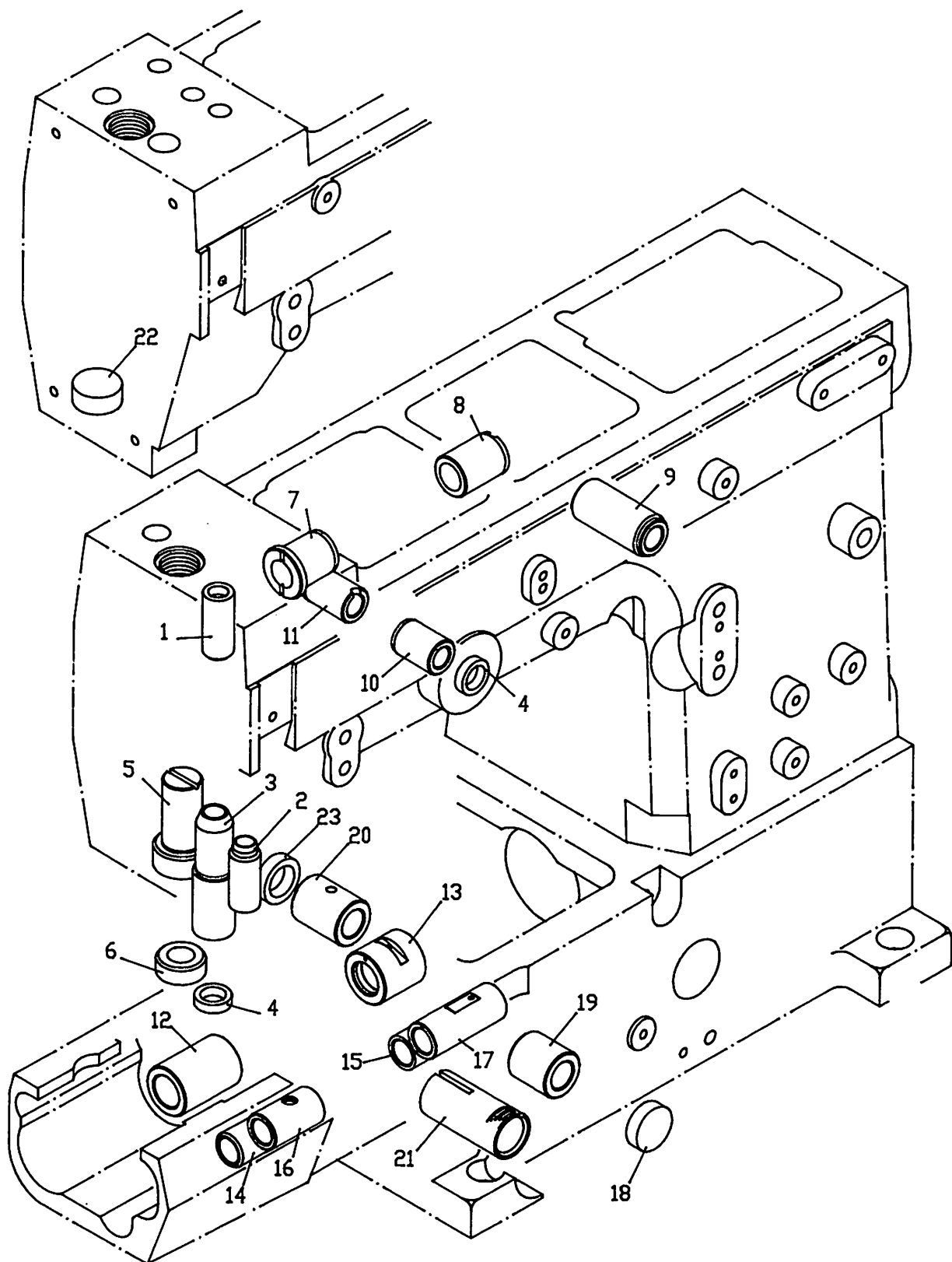
3. 導針與張力調整零件 Thread Guide And Tension Components CT6200用 For CT6200

序號 Ref.No.	圖號 Parts No.	名稱 Description	單位用量 Amt. Req.
1	6031121D600	張力調整螺帽 Tension Nut	4
2	6031123A800	彈簧 Spring (Red)	2
3	6031122D600	套管 Bushing	4
4	6031132A800	彈簧 Spring (Yellow)	2
5	6031125D600	彈簧座 Spring Seat	4
6	6031127L700	羊毛氈 Felt	4
7	6031126D700	張力控制盤 Tension Disc	8
8	C000308C300	螺樁 Stud	4
9	C000309D300	隔環 Spacer	4
10	C000310B700	鬆線滑板 Release Wedge	1
11	C000311B700	導線 Thread Guide	4
12	C000312B700	導線 Thread Guide	4
13	C000313B700	張力控制組座 Tension Post Support	1
14	MC04280807D	螺絲 Screw	6
15	C000315B700	導線 Thread Guide	1
16	MB04280807K	螺絲 Screw	6
17	C000317B700	導線 Thread Guide	1
18	C000318A800	彈簧 Spring	1
19	C000319B700	底線控制板 Thread Guide	1
20	C000320B700	底線控制壓板 Tension Control plate	1
21	MD03201006B	螺樁 Stud	1
22	C000322B700	導線 Thread Guide	1
23	MD03200306A	螺絲 Screw	2
24	C000324B700	導線 Thread Guide	1
25	C000325B700	導線 Thread Guide	1
26	MD03200606A	螺絲 Screw	1
27	C000327D300	導線管 Thread Guide Pipe	2
28	C000328B700	導線管夾 Thread Guide Pipe Clamp	3
29	C000329PW	墊圈 Washer	2
30	MB04280807K	螺絲 Screw	2
31	C000331B700	導線架 Thread Guide Plate	1
32	C000332D300	導線管 Thread Guide Pipe	1
33	C000333PW	墊圈 Washer	1
34	C000223ST	定位銷 Knock Pin	1
35	C000335D200	油杯 Cooler Oil Tank	1
36	C000336D700	油杯蓋 Cooler Oil Tank Cover	1
37	6800	油線 Oil Wick	1
38	C000338B700	線夾 Wick Clamp	1
39	C000339L700	羊毛氈 Felt	1
40	C000340B700	導線 Thread Guide	1
41	ME03200506A	螺絲 Screw	2
42	C000236PW	墊圈 Washer	1
43	C000343A800	針線助導桿 Needle Thread Guide	1
44	MB04280807K	螺絲 Screw	1
45	C000345B700	導線 Thread Guide	1
46	ME04280708A	螺絲 Screw	1
47	C000347B700	張力控制組座 Thread Retainer Support	1
48	C000348B700	針線控制板 Thread Guide	1
49	C000349B700	針線控制壓板 Tension Control plate	1
50	C000350A800	彈簧 Spring	1
51	MC03200807G	螺樁 Stud	1
52	C000352B700	導線 Thread Guide	1
53	C000353B700	導線 Thread Guide	1
54	C000354C300	螺樁 Stud	1
55	C000355B700	張力控制盤 Tension Disc	2
56	C000356A800	彈簧 Spring	1
57	C000357D300	螺帽 Nut	1
58	MB04280507D	螺絲 Screw	2
59	C000359B700	楊線臂護線罩 Takeup Arm Protect	1
60	C000360SP	彈簧銷 Spring Pin	2



3. 導針與張力調整零件 Thread Guide And Tension Components CT4600用 For CT4600

序號 Ref.No.	圖號 Parts No.	名稱 Description	單位用量 Amt.Req.
1	6031121D600	張力調整螺帽 Tension Nut	3
2	6031123A800	彈簧 Spring (Red)	2
3	6031122D600	套管 Bushing	3
4	6031132A800	彈簧 Spring (Yellow)	1
5	6031125D600	彈簧座 Spring Seat	3
6	6031127L700	羊毛氈 Felt	3
7	6031126D700	張力控制盤 Tension Disc	6
8	C000308C300	螺樁 Stud	3
9	C000309D300	隔環 Spacer	3
10	C000310B700	鬆線滑板 Release Wedge	1
11	C000311B700	導線 Thread Guide	3
12	C000312B700	導線 Thread Guide	3
13	C000313B700	張力控制組座 Tension Post Support	1
14	MC04280807D	螺絲 Screw	5
15	-----	-----	-----
16	MB04280807K	螺絲 Screw	2
17	C000317B700	導線 Thread Guide	1
18	C000318A800	彈簧 Spring	1
19	C000319B700	底線控制板 Thread Guide	1
20	C000320B700	底線控制壓板 Tension Control plate	1
21	MD03201006B	螺樁 Stud	1
22	C000322B700	導線 Thread Guide	1
23	MD03200306A	螺絲 Screw	2
24	C000324B700	導線 Thread Guide	1
25	C000325B700	導線 Thread Guide	1
26	MD03200606A	螺絲 Screw	1
27	C000327D300	導線管 Thread Guide Pipe	2
28	C000328B700	導線管夾 Thread Guide Pipe Clamp	2
29	C000329PW	墊圈 Washer	2
30	MB04280807K	螺絲 Screw	2
31	C000331B700	導線架 Thread Guide Plate	1
32	-----	-----	-----
33	-----	-----	-----
34	C000223ST	定位銷 Knock Pin	1
35	C000335D200	油杯 Cooler Oil Tank	1
36	C000336D700	油杯蓋 Cooler Oil Tank Cover	1
37	6800	油線 Oil Wick	1
38	C000338B700	線夾 Wick Clamp	1
39	C000339L700	羊毛氈 Felt	1
40	C000340B700	導線 Thread Guide	1
41	ME03200506A	螺絲 Screw	2
42	C000236PW	墊圈 Washer	1
43	C000343A800	針線助導桿 Needle Thread Guide	1
44	MB04280807K	螺絲 Screw	1
45	C000345B700	導線 Thread Guide	1
46	ME04280708A	螺絲 Screw	1
47	C000347B700	張力控制組座 Thread Retainer Support	1
48	C000348B700	針線控制板 Thread Guide	1
49	C000349B700	針線控制壓板 Tension Control plate	1
50	C000350A800	彈簧 Spring	1
51	MC03200807G	螺樁 Stud	1
52	-----	-----	-----
53	-----	-----	-----
54	-----	-----	-----
55	-----	-----	-----
56	-----	-----	-----
57	-----	-----	-----
58	MB04280507D	螺絲 Screw	2
59	C000359B700	楊線臂護線罩 Takeup Arm Protect	1
60	C000360SP	彈簧銷 Spring Pin	2

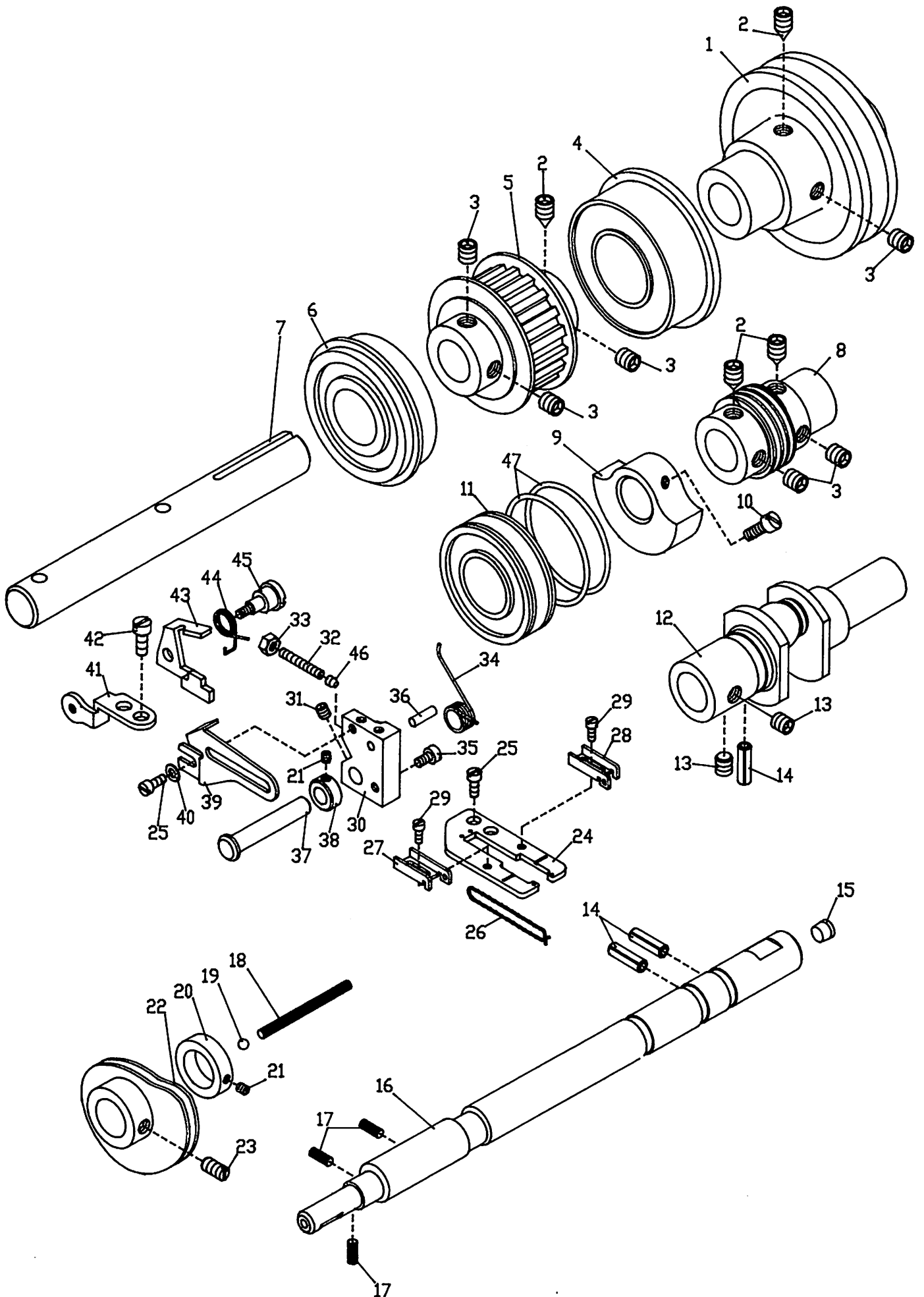


4. 軸襯與油封 Bushing And Seal

序號 Ref.No.	圖號 Parts No.	名稱 Description	單位用量 Amt. Req.
1	C000401G300	軸襯 Bushing	1
2	C000402G300	軸襯 Bushing	1
3	C000403G300	軸襯 Bushing	1
4	C000404A600	油封 Oil Seal	2
*5	C000405G300	軸襯 Bushing	1
*6	C000406A600	油封 Oil Seal	1
*7	C000407G300	軸襯 Bushing	1
*8	C000408G300	軸襯 Bushing	1
9	C000409G300	軸襯 Bushing	1
10	C000410G300	軸襯 Bushing	1
11	C000411G300	軸襯 Bushing	1
12	C000412G300	軸襯 Bushing	1
13	C000413G300	軸襯 Bushing	1
14	C000414G300	軸襯 Bushing	1
15	C000415G300	軸襯 Bushing	1
16	C000416G300	軸襯 Bushing	1
17	C000417G300	軸襯 Bushing	1
18	C000245A600	孔塞 Plug	1
19	C000419G300	軸襯 Bushing	1
20	C000420G300	軸襯 Bushing	1
21	C000421D300	刻線套管 Graduation Bushing	1
**22	C000422H300	孔塞 Plug	1
23	C000423H300	孔塞 Plug	1

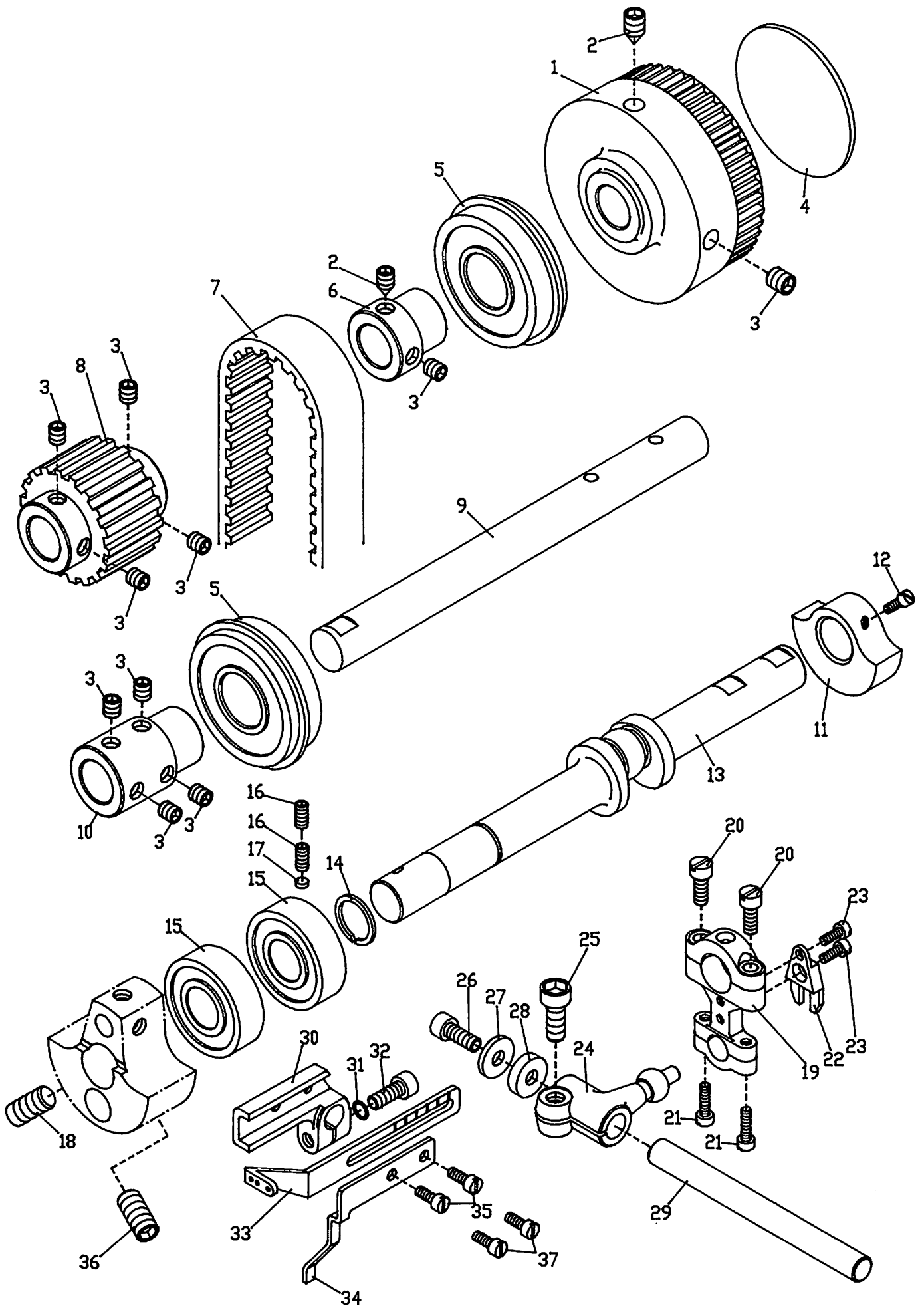
* : CT6200,CT6500 用 For CT6200,CT6500

** : CT4600,CT4700 用 For CT4600,CT4700



5. 下軸與相關零件 Lower Main Shaft Components

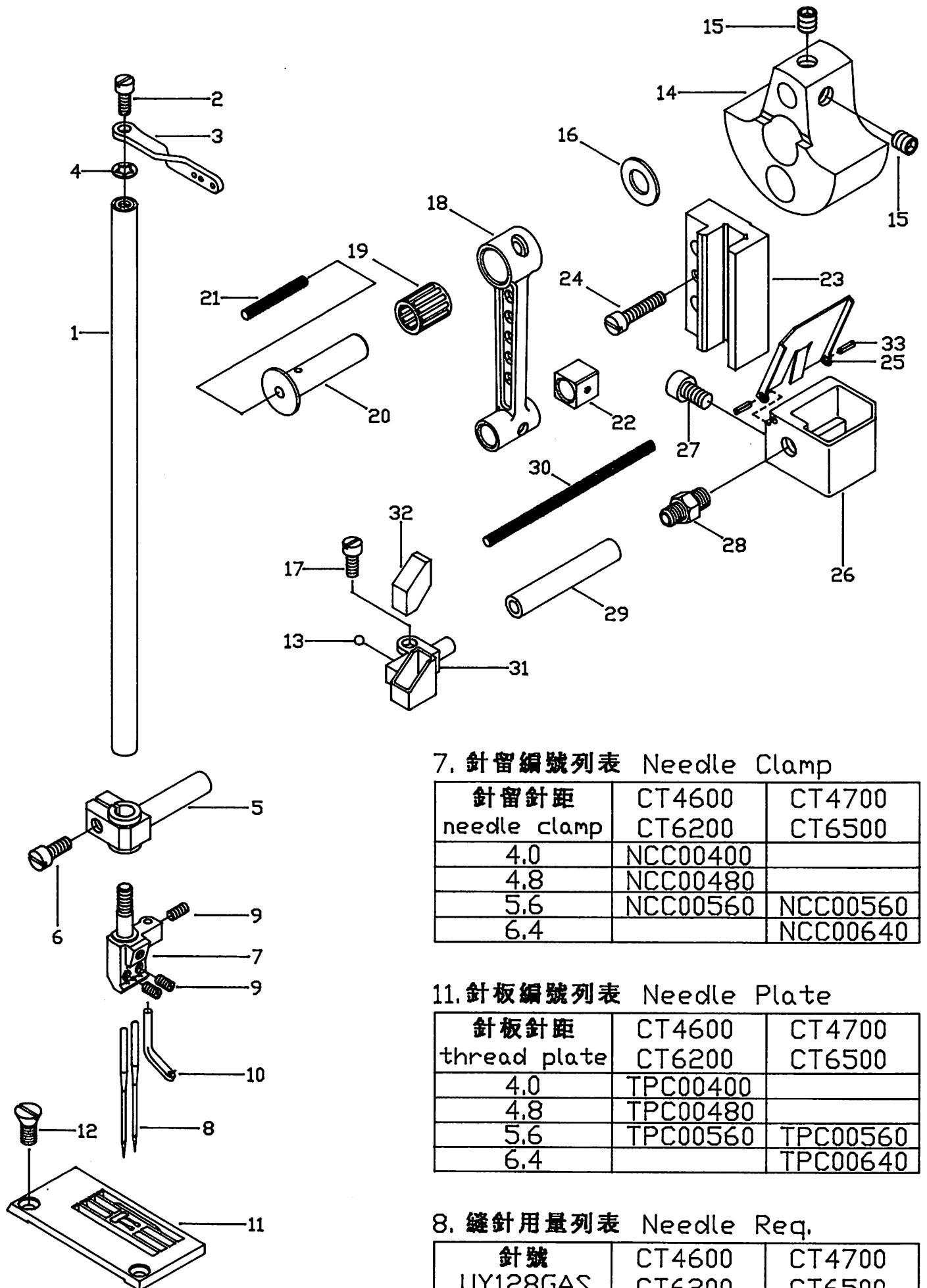
序號 Ref.No.	圖號 Parts No.	名稱 Description	單位用量 Amt. Req.
1	C000501A200	皮帶輪 Belt Pulley	1
2	MN06400800C	螺絲 Screw	4
3	MN06400600A	螺絲 Screw	6
4	C000504BB	滾珠軸承 Ball Bearing	1
5	C000505B300	齒形皮帶輪 Timing Pulley	1
6	C000506BB	滾珠軸承 Ball Bearing	1
7	C000507A300	軸 Shaft	1
8	C000508A300	蝸桿 Worm	1
9	C000509B400	平衡錘 Balance Weight	1
10	MB04280807K	螺絲 Screw	2
11	C000511BB	滾珠軸承 Ball Bearing	1
12	C000512A300	曲軸 Crank Shaft	1
13	MN06400500A	螺絲 Screw	2
14	C000514SP	彈簧銷 Pin	3
15	C000515H300	孔塞 Plug	1
16	C000516A300	軸 Shaft	1
17	6801	油線 Oil Wick	3
18	6800	油線 Oil Wick	1
19	C000519H300	孔塞 Plug	1
20	C000520C300	定位環 Collar	1
21	MN03200300A	螺絲 Screw	2
22	C000522B700	楊線凸輪 Looper Thread Takeup Cam	1
23	MH05320400A	螺絲 Screw	2
24	C000524B700	導線固定板 Thread Guide Seat	1
25	MB03200506K	螺絲 Screw	3
26	C000526LW	梳線毛氈 Laced Wire	2
27	C000527B700	導線 Thread Guide	1
28	C000528B700	導線 Thread Guide	1
29	MB75180405A	螺絲 Screw	2
30	C000530A500	承座 Bracket	1
31	MN04280400A	螺絲 Screw	1
32	MN06403500B	螺絲 Screw	1
33	MA06400510A	螺帽 Nut	1
34	C000534A800	彈簧 Spring	1
35	MB03200506K	螺絲 Screw	1
36	C000536ST	直銷 Pin	1
37	C000537A300	樞銷 Shaft	1
38	C000538D300	定位環 Collar	1
39	C000539B700	導線 Thread Guide	1
40	C000540PW	墊圈 Washer	1
41	C000541B700	止動片 Stopper	1
42	MB04280807K	螺絲 Screw	2
43	C000543B700	止動片 Stopper	1
44	C000544A800	彈簧 Spring	1
45	MB03200810R	螺絲 Screw	1
46	C000546D600	減震墊 Rubber	1
47	C0005470R	O形油環 O Ring	2



6. 上軸與相關零件 Upper Main Shaft Components

序號 Ref.No.	圖號 Parts No.	名稱 Description	單位用量 Amt. Req.
1	C000601C200	手輪 Handwheel	1
2	MN06400800C	螺絲 Screw	2
3	MN06400600A	螺絲 Screw	10
4	C000604F700	軸端封蓋 Cover	1
5	C000506BB	滾珠軸承 Ball Bearing	2
6	C000606A300	套管接頭 Joint	1
7	C000607TB	齒形皮帶 Timing Belt	1
8	C000608B300	齒形皮帶輪 Timing Pulley	1
9	C000609A300	軸 Shaft	1
10	C000610D300	套管接頭 Joint	1
11	C000509B400	平衡錘 Balance Weight	1
12	MB04280807K	螺絲 Screw	2
13	C000613A300	曲軸 Crank Shaft	1
14	C000614CR	C形軸用扣環 C Ring	1
15	C000615BB	滾珠軸承 Ball Bearing	2
16	MN06400500A	螺絲 Screw	2
17	C000617A600	墊片 Rubber Seat	1
18	MN08401600A	螺絲 Screw	1
19	C000619C100	連桿 Connecting Rod	1
20	MB95301407K	螺絲 Screw	2
21	MB85241006K	螺絲 Screw	2
22	C000622E200	定向導軌 Orient Guide	1
23	MB03200806K	螺絲 Screw	2
24	C000624A100	曲柄 Ball Lever	1
25	MM06401510A	螺絲 Screw	1
26	MM05321009A	螺絲 Screw	1
27	C000627B700	墊圈 Washer	1
28	C000628D300	隔環 Spacer	1
29	C000629A300	軸 Shaft	1
30	C000630D100	承座 Bracket	1
31	C000631SW	彈簧墊圈 Spring Washer	1
32	MM05321409A	螺絲 Screw	1
33	C000633B700	針線楊線桿 Thread Take-up	1
*34	C000634B700	裝飾線楊線桿 Thread Take-up	1
*35	MB85240806K	螺絲 Screw	2
36	MN08402100D	螺絲 Screw	1
**37	MB85240607K	螺絲 Screw	2

* : CT6200,CT6500 用 For CT6200,CT6500 Only
 ** : CT4600,CT4700 用 For CT4600,CT4700 Only



7. 針留編號列表 Needle Clamp

針留針距 needle clamp	CT4600 CT6200	CT4700 CT6500
4.0	NCC00400	
4.8	NCC00480	
5.6	NCC00560	NCC00560
6.4		NCC00640

11. 針板編號列表 Needle Plate

針板針距 thread plate	CT4600 CT6200	CT4700 CT6500
4.0	TPC00400	
4.8	TPC00480	
5.6	TPC00560	TPC00560
6.4		TPC00640

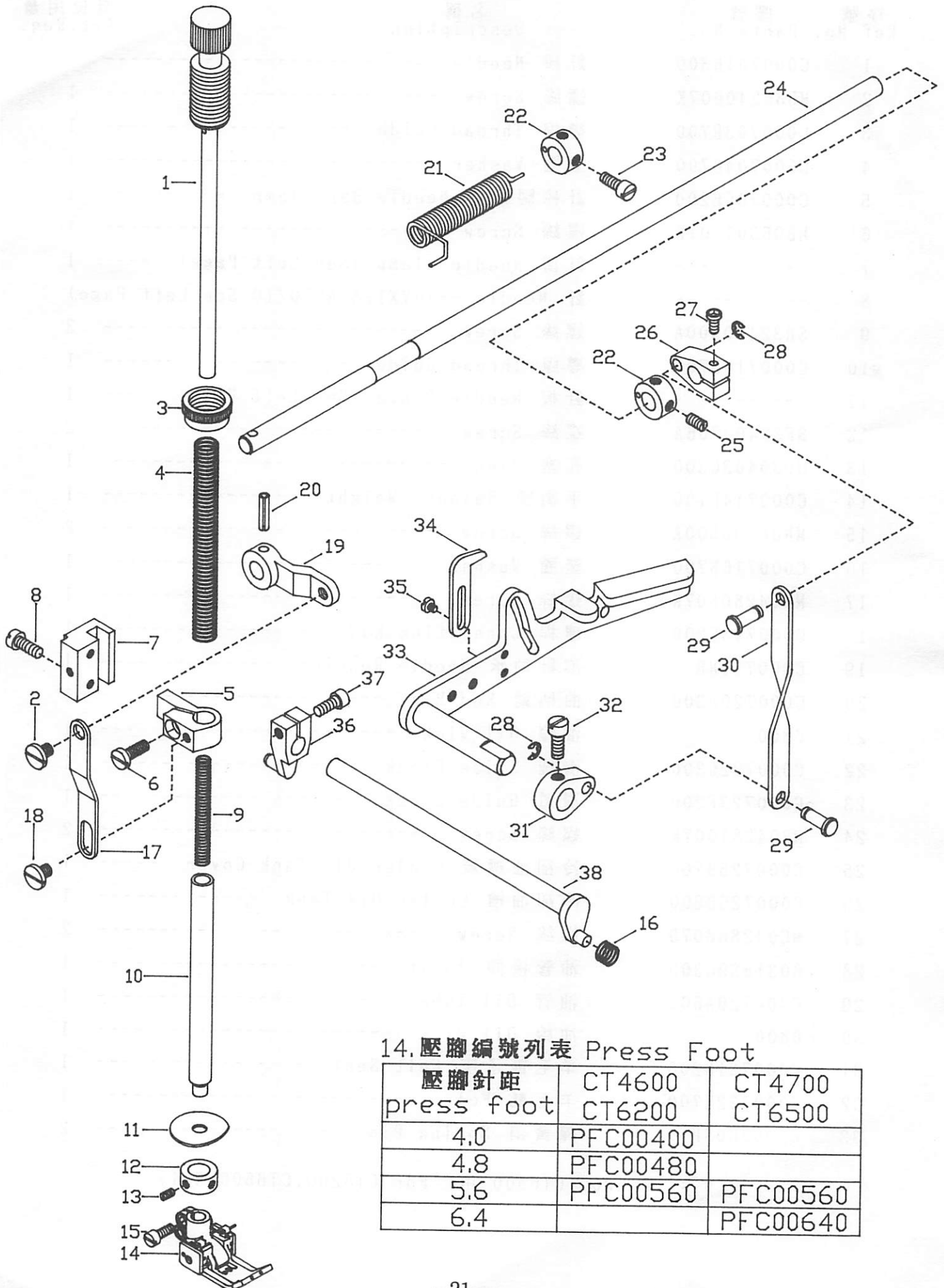
8. 縫針用量列表 Needle Req.

針號 UY128GAS	CT4600 CT6200	CT4700 CT6500
數量 Amt.Req.	2	3

7. 針棒與相關零件 Needle Bar Components

序號 Ref.No.	圖號 Parts No.	名稱 Description	單位用量 Amt. Req.
1	C000701B300	針棒 Needle Bar	1
2	MB85240607K	螺絲 Screw	1
3	C000703B700	導線 Thread Guide	1
4	C000704B700	墊圈 Washer	1
5	C000705E200	針棒驅動銷 Needle Bar Clamp	1
6	MB95301107K	螺絲 Screw	1
7	-----	針留 Needle clamp (See Left Page)	1
8	-----	針 Needle --(UYX128GAS70/10 See Left Page)	1
9	SH32440300A	螺絲 Screw	3
*10	C000710B700	導線 Thread Guide	1
11	-----	針板 Needle Plate (See Left Page)	1
12	SF36400706A	螺絲 Screw	2
13	6030403G300	孔塞 Plug	1
14	C000714B100	平衡錘 Balance Weight	1
15	MN06400500A	螺絲 Screw	2
16	C000716B700	墊圈 Washer	1
17	MB04280807K	螺絲 Screw	1
18	C000718E200	連桿 Connecting Rod	1
19	C000719NB	滾針軸承 Needle Bearing	1
20	C000720A300	曲柄銷 Rod Pin	1
21	6800	油線 Oil Wick	1
22	C000722G300	滑塊 Slide Block	1
23	C000723E200	滑道 Guide Block	1
24	MB04281607K	螺絲 Screw	2
25	C000725B700	冷卻油槽蓋 Cooler Oil Tank Cover	1
26	C000726D200	冷卻油槽 Cooler Oil Tank	1
27	MC04280807D	螺絲 Screw	2
28	6031539G300	油管接頭 Joint	1
29	C000729A600	油管 Oil Tube	1
30	6800	油線 Oil Wick	1
31	C000731D200	羊毛氈承座 Felt Seat	1
32	C000732L700	羊毛氈 Felt	1
33	C000360SP	彈簧銷 Spring Pin	2

* : CT6200,CT6500 用 For CT6200,CT6500 Only

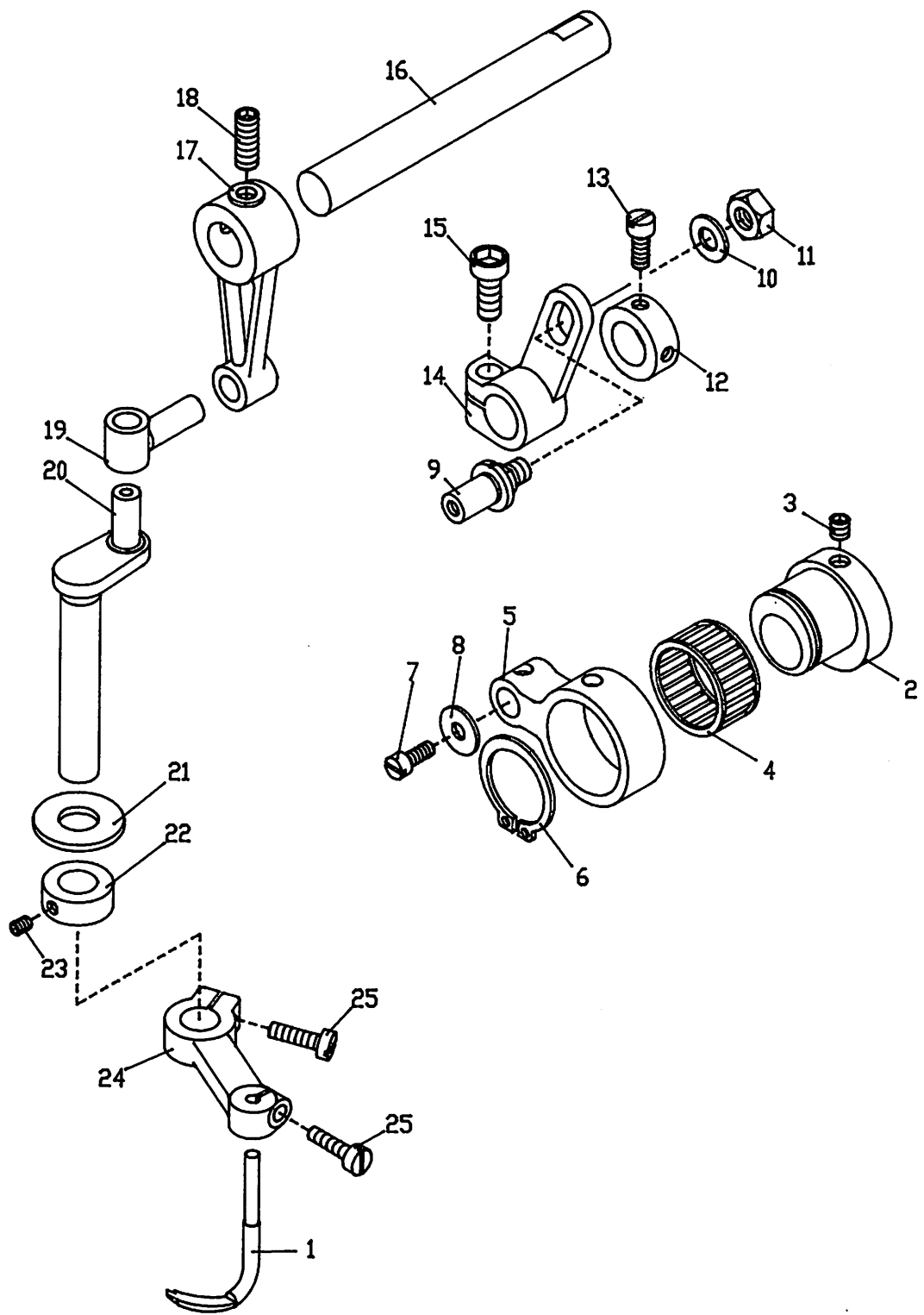


14. 壓腳編號列表 Press Foot

壓腳針距 press foot	CT4600 CT6200	CT4700 CT6500
4.0	PFC00400	
4.8	PFC00480	
5.6	PFC00560	PFC00560
6.4		PFC00640

8. 壓腳與相關零件 Presser Foot Components

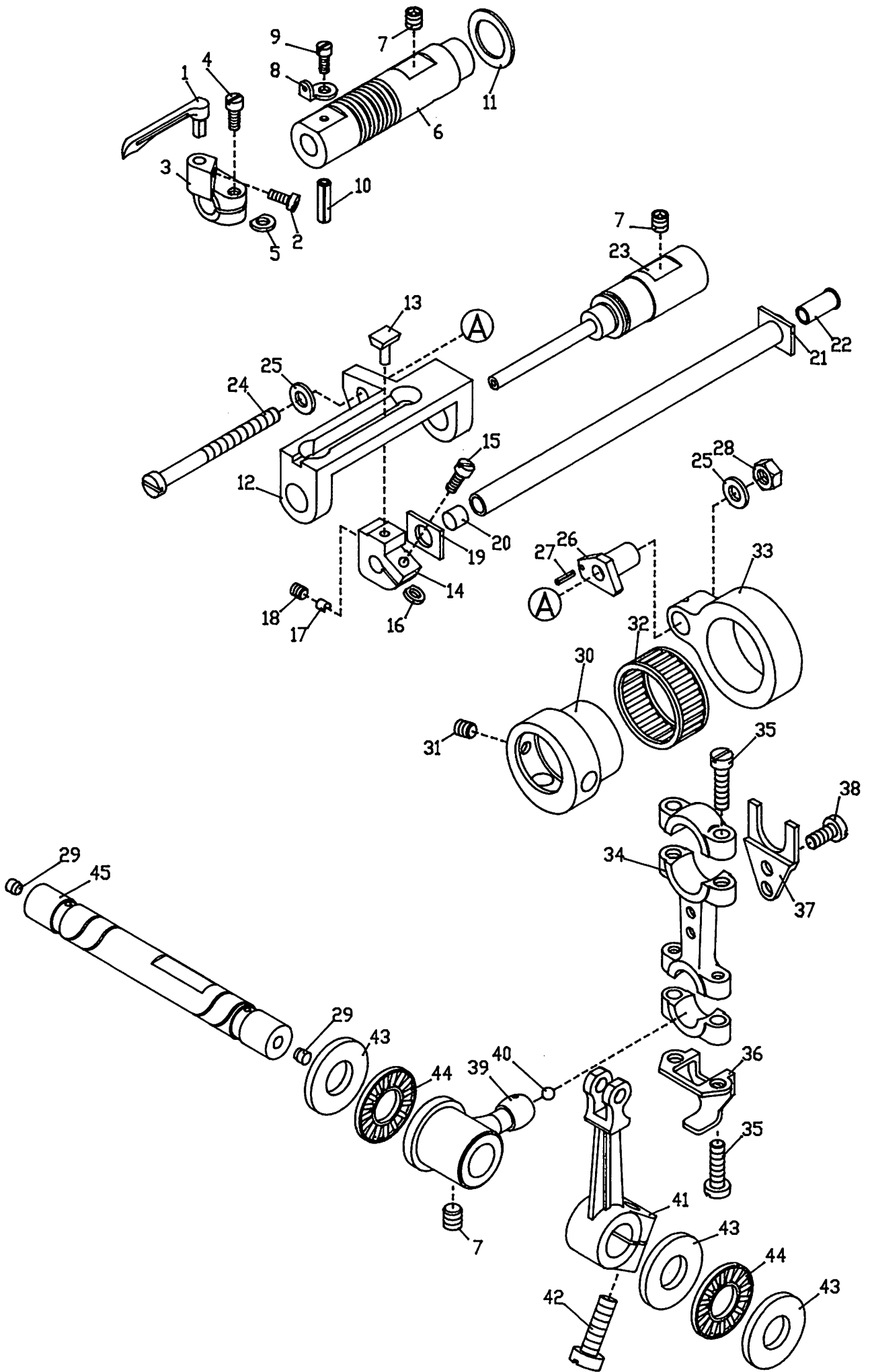
序號 Ref.No.	圖號 Parts No.	名稱 Description	單位用量 Amt.Req.
1	C000801C300	壓力調整螺椿 Spring Regulator	1
2	MB05320509G	螺椿 Stud	1
3	C000803D300	螺帽 Nut	1
4	C000804A800	彈簧 Spring	1
5	C000805A100	壓腳棒連結臂 Presser Bar Clamp	1
6	MC95300808E	螺絲 Screw	1
7	C000807E200	滑道 Guide Block	1
8	MC95301608E	螺絲 Screw	2
9	C000809A800	彈簧 Spring	1
10	C000810A300	壓腳棒 Presser Bar	1
11	C000811A600	阻油片 Oil Separator	1
12	C000812D300	限動環 Stop Collar	1
13	MH85240300A	螺絲 Screw	2
14	-----	壓腳 Presser Foot (See Left Page)	1
15	SC36400705A	螺絲 Screw	1
16	C000816A800	彈簧 Spring	1
17	C000817B700	連桿 Link	1
18	MB05320509G	螺椿 Stud	1
19	C000819B100	連桿 Lever	1
20	C000820SP	彈簧銷 Spring Pin	1
21	C000821A800	彈簧 Spring	1
22	C000822D300	定位環 Collar	2
23	MC95300606F	螺絲 Screw	2
24	C000824D300	軸 Shaft	1
25	MC95300606F	螺絲 Screw	2
26	C000826E200	連桿 Lever	1
27	MM04281407A	螺絲 Screw	1
28	C000828ER	E形扣環 E Ring	2
29	C000829C300	連結銷 Connecting Pin	2
30	C000830B700	連桿 Link	1
31	C000831E200	連桿 Lever	1
32	MC06401008A	螺絲 Screw	1
33	C000833B700	揚昇臂 Lifter Arm	1
34	C000834B700	揚昇臂限位片 Stopper	1
35	MB85240607K	螺絲 Screw	2
36	C000836E200	曲柄 Drive Arm	1
37	MK95301407A	螺絲 Screw	1
38	C000838E200	曲軸 Shift	1



9.裝飾線驅動機構
CT6200,6500 專用

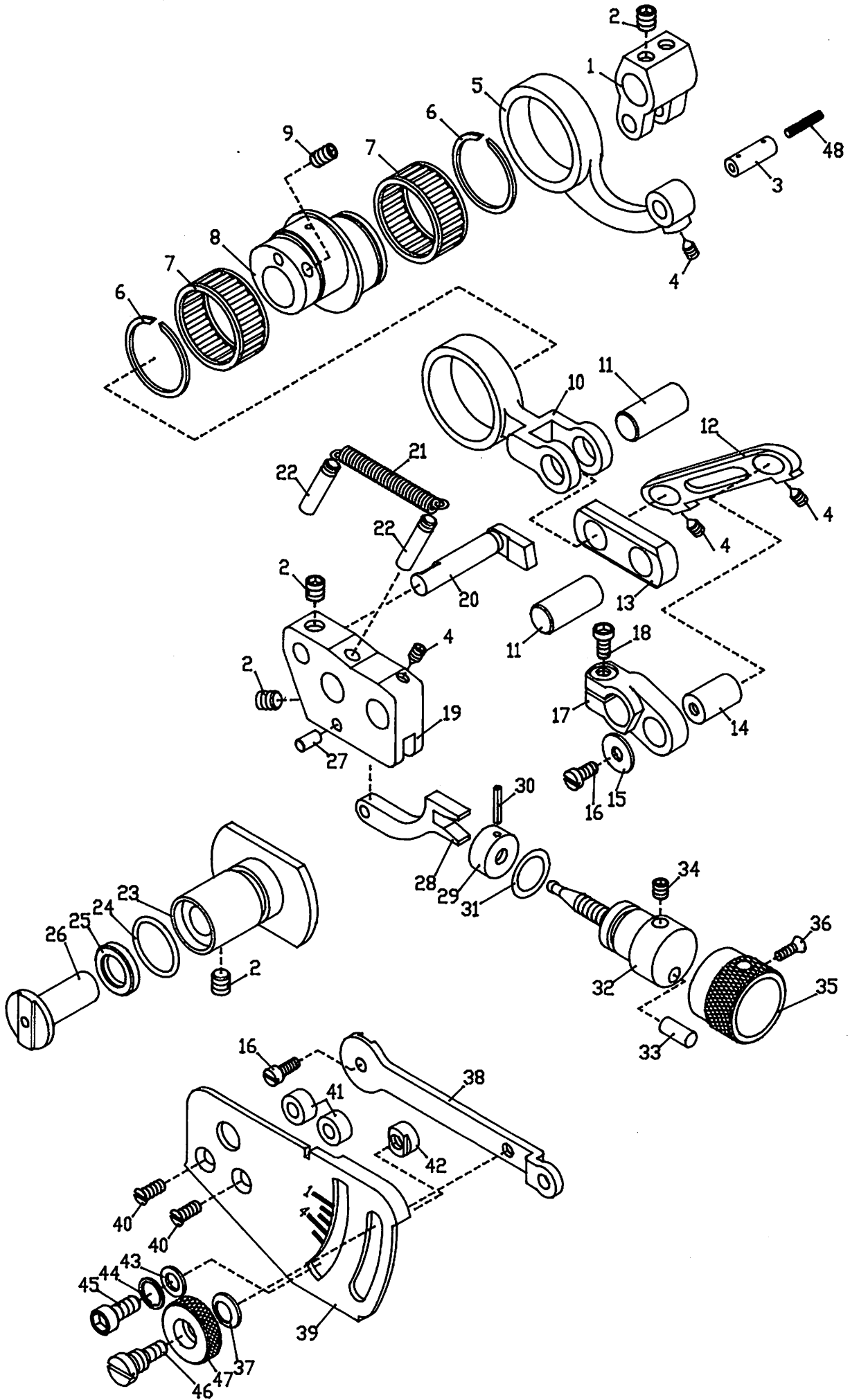
Spreader Mechanism
CT6200,CT6500 Only

序號 Ref.No.	圖號 Parts No.	名稱 Description	單位用量 Amt.Req.
1	SLC00560	裝飾線結線鉤 Spreader	1
2	C000902A300	偏心輪 Eccentric	1
3	MN05320500A	螺絲 Screw	2
4	C000904NB	滾針軸承 Needle Bearing	1
5	C000905A100	連桿 Connecting Rod	1
6	C000906CR	軸用C形扣環 C Ring	1
7	MB04280807K	螺絲 Screw	1
8	C000908B700	墊圈 Washer	1
9	C000909A300	曲柄銷 Rod Pin	1
10	C000910PW	墊圈 Washer	1
11	MA06400510B	螺帽 Nut	1
12	C000912D300	定位環 Collar	1
13	MC95300606F	螺絲 Screw	2
14	C000914A100	變距曲柄 Lever	1
15	MM06401510A	螺絲 Screw	1
16	C000916A300	軸 Shaft	1
17	C000917E200	連桿 Connecting Rod	1
18	MN06400600A	螺絲 Screw	2
19	C000919E200	連桿銷 Rod Pin	1
20	C000920A100	曲軸 Crank Shaft	1
21	C000921B700	墊圈 Washer	1
22	C000922D300	定位環 Collar	1
23	MH85240500A	螺絲 Screw	2
24	C000924D100	擺動臂 Spreader Arm	1
25	MB04281207K	螺絲 Screw	2



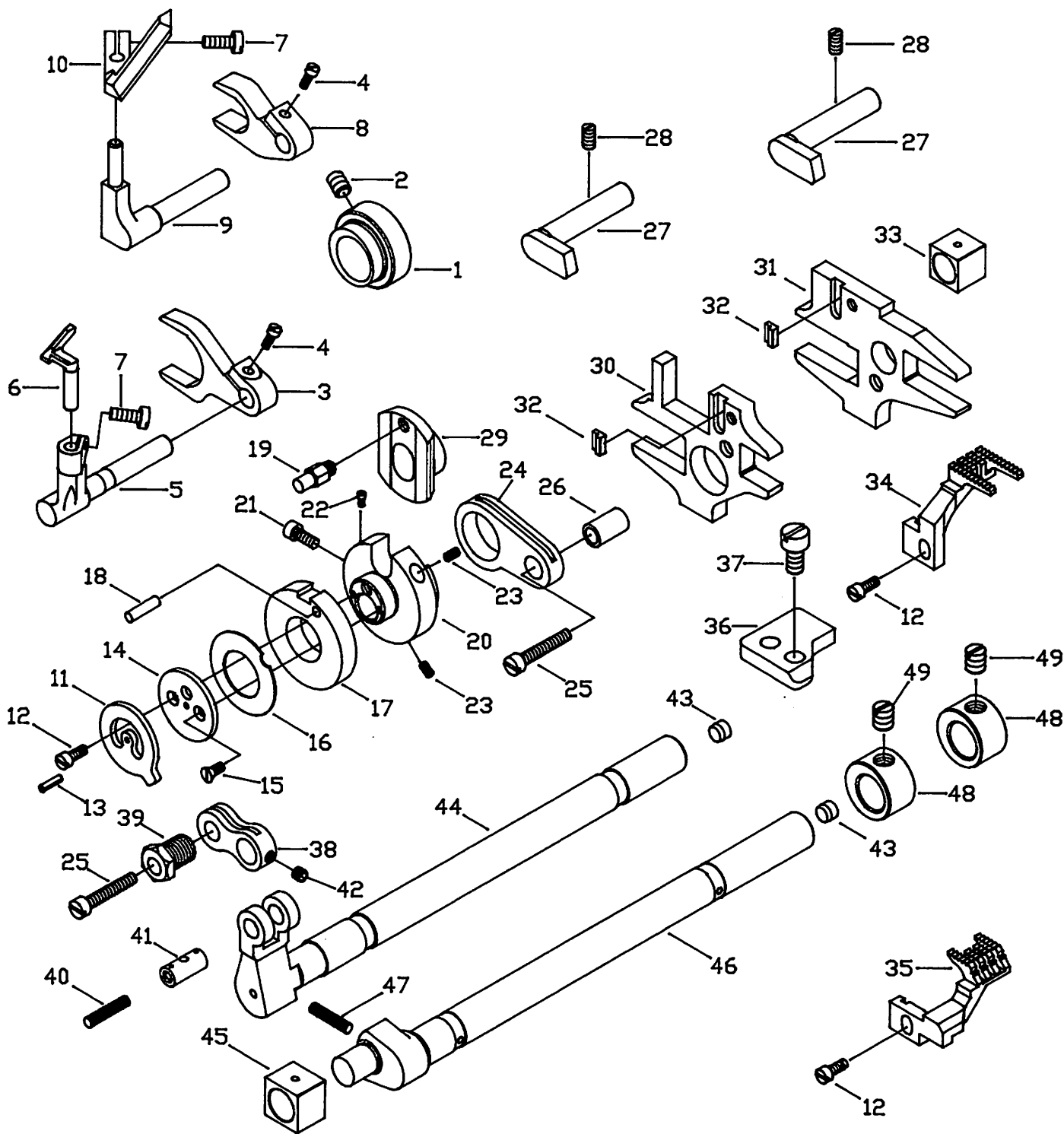
10. 結線鉤驅動機構 Looper Driving Mechanism

序號 Ref.No.	圖號 Parts No.	名稱 Description	單位用量 Amt. Req.
1	LLC00560	下結線鉤 Looper	1
2	MB85240605A	螺絲 Screw	1
3	C001003D100	結線鉤座 Looper Holder	1
4	MB85241106A	螺絲 Screw	1
5	C001005R700	墊圈 Washer	1
6	C001006A300	軸襯 Bushing	1
7	MN06400600A	螺絲 Screw	4
8	C001008B700	導線 Thread Guide	1
9	MD03200306A	螺絲 Screw	1
10	C000820SP	彈簧銷 Spring Pin	1
11	C001011B700	墊圈 Washer	1
12	C001012E200	滑道 Guide Block	1
13	C001013E200	滑塊 Slide block	1
14	C001014D100	滑塊固定座 Slider Holder	1
15	MB85241106A	螺絲 Screw	1
16	C001016R700	墊圈 Washer	1
17	C001017D300	緩衝墊 Cushion	1
18	MN04280400A	螺絲 Screw	1
19	C001019P700	止推墊片 Thrust Plate	1
20	C001020C900	孔塞 Plug	1
21	C001021A300	結線鉤驅動軸 Looper Drive Bar	1
22	C001022G300	軸襯 Bushing	1
23	C001023A300	導桿 Guide Bar	1
24	MB05323009B	螺絲 Screw	1
25	C001025B700	墊圈 Washer	1
26	C001026E200	變距連桿銷 Adjusting Pin	1
27	C001027SP	彈簧銷 Spring Pin	1
28	MA05300804B	螺帽 Nut	1
29	C001029H300	孔塞 Plug	2
30	C001030A300	偏心輪 Eccentric	1
31	MN05320500A	螺絲 Screw	1
32	C001032NB	滾針軸承 Needle Bearing	1
33	C001033E200	連桿 Rod	1
34	C001034C100	連桿 Connecting Rod	1
35	MB95301407K	螺絲 Screw	4
36	C001036B700	潑油片 Oil Splasher	1
37	C001037B700	定向導片 Orient Guide	1
38	MC95300808E	螺絲 Screw	2
39	C001039A100	曲柄 Lever	1
40	6030403G300	孔塞 Plug	1
41	C001041A100	擺動臂 Rocker Arm	1
42	MM06401510A	螺絲 Screw	1
43	C001043S700	止推墊圈 Thrust Washer	3
44	C001044PB	止推軸承 Thrust Bearing	2
45	C001045A300	軸 Shaft	1



11.進給變換機構 Feed Control Driving

序號 Ref.No.	圖號 Parts No.	名稱 Description	單位用量 Amt.Req.
1	C001101A100	曲柄 Lever	1
2	MN06400600A	螺絲 Screw	5
3	C001103A300	曲柄銷 Rod Pin	1
4	MN04280500C	螺絲 Screw	4
5	C001105A100	連桿 Rod	1
6	C001106CR	C形軸用扣環 C Ring	2
7	C001107NB	滾針軸承 Needle Bearing	2
8	C001108A300	偏心輪 Eccentric	1
9	MN05320500A	螺絲 Screw	2
10	C001110A100	連桿 Rod	1
11	C001111A300	連桿銷 Rod Pin	2
12	C001112E200	連桿 Link	1
13	C001113E200	連桿 Link	1
14	C001114A300	曲柄銷 Lever Pin	1
15	C001115B700	墊圈 Washer	1
16	MB04280807K	螺絲 Screw	2
17	C001117A100	曲柄 Lever	1
18	MM04281207A	螺絲 Screw	1
19	C001119E200	承座 Bracket	1
20	C001120E200	懸臂式滑軌 Guide	1
21	C001121A800	彈簧 Spring	1
22	C001122D300	彈簧掛鉤 Pin	2
23	C001123E100	軸襯 Bushing	1
24	C001124OR	O形油環 O Ring	1
25	C001125A600	油封 Oil Seal	1
26	C001126D300	差動游標軸 Shaft	1
27	C001127ST	連桿銷 Pin	1
28	C001128B700	差動微調頂桿 Link	1
29	C001129D300	引動螺帽 Nut	1
30	C001130SP	彈簧銷 Spring Pin	1
31	C001131OR	O形油環 O Ring	1
32	C001132D300	差動微調螺桿 Stud	1
33	C001133ST	止動銷 Stopper Pin	1
34	MH04280400A	螺絲 Screw	1
35	C001135C300	差動微調旋鈕 Knob	1
36	ME03200606A	螺絲 Screw	1
37	C001137DW	皿形墊圈 Disc Washer	1
38	C001138B700	差動變換桿 Lever	1
39	C001139B700	差動刻記板 Regulator Plate	1
40	ME04281408A	螺絲 Screw	2
41	C001141D300	隔環 Spacer	2
42	C001142D300	止動環 Stopper	1
43	C001143PW	墊圈 Washer	1
44	C001144SW	彈簧墊圈 Spring Washer	1
45	MM05320809A	螺絲 Screw	1
46	MB06401108Q	螺樁 Stud	1
47	C001147D300	螺帽 Nut	1
48	6800	油線 Oil Wick	1



6. 前導針器編號列表 NEEDLE GUIDE(F)

前導針器 NEEDLE GUIDE(R)	CT4600 CT6200 CT4700 CT6500
4.0 4.8 5.6	NGC00D0
6.4	NGC00D0

34. 主送齒編號列表 Main Feed Dog

主送布齒 main feed dog	CT4600 CT6200 CT4700 CT6500
4.0 4.8 5.6	FDC00560
6.4	FDC00640

10. 後導針器編號列表 NEEDLE GUIDE(R)

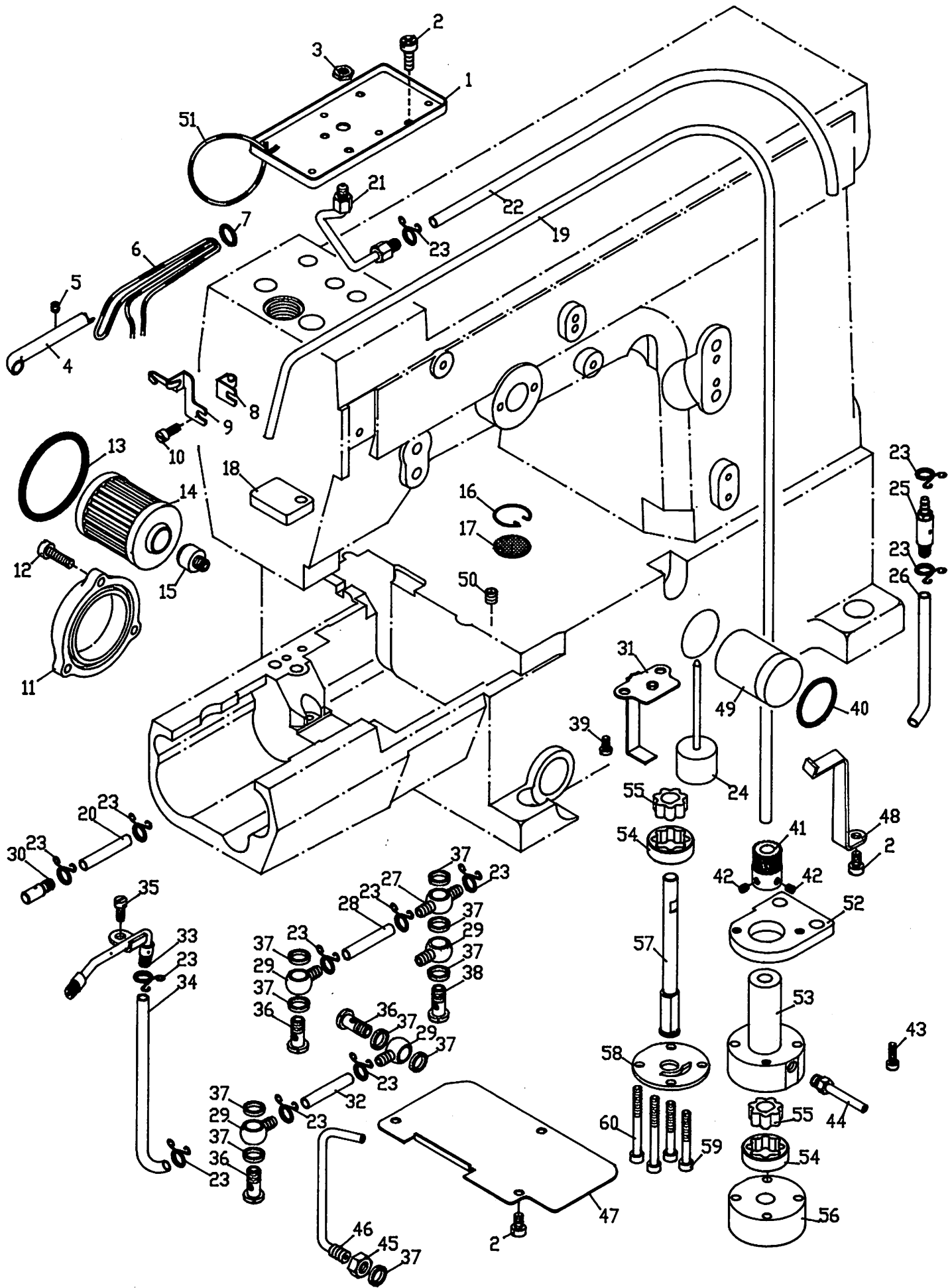
後導針器 NEEDLE GUIDE(R)	CT4600 CT6200 CT4700 CT6500
4.0 4.8 5.6	NGC00D1
6.4	NGC00D2

35. 副送齒編號列表 Diff. Feed Dog

副送布齒 diff_ feed dog	CT4600 CT6200 CT4700 CT6500
4.0 4.8 5.6	DFC00560
6.4	DFC00640

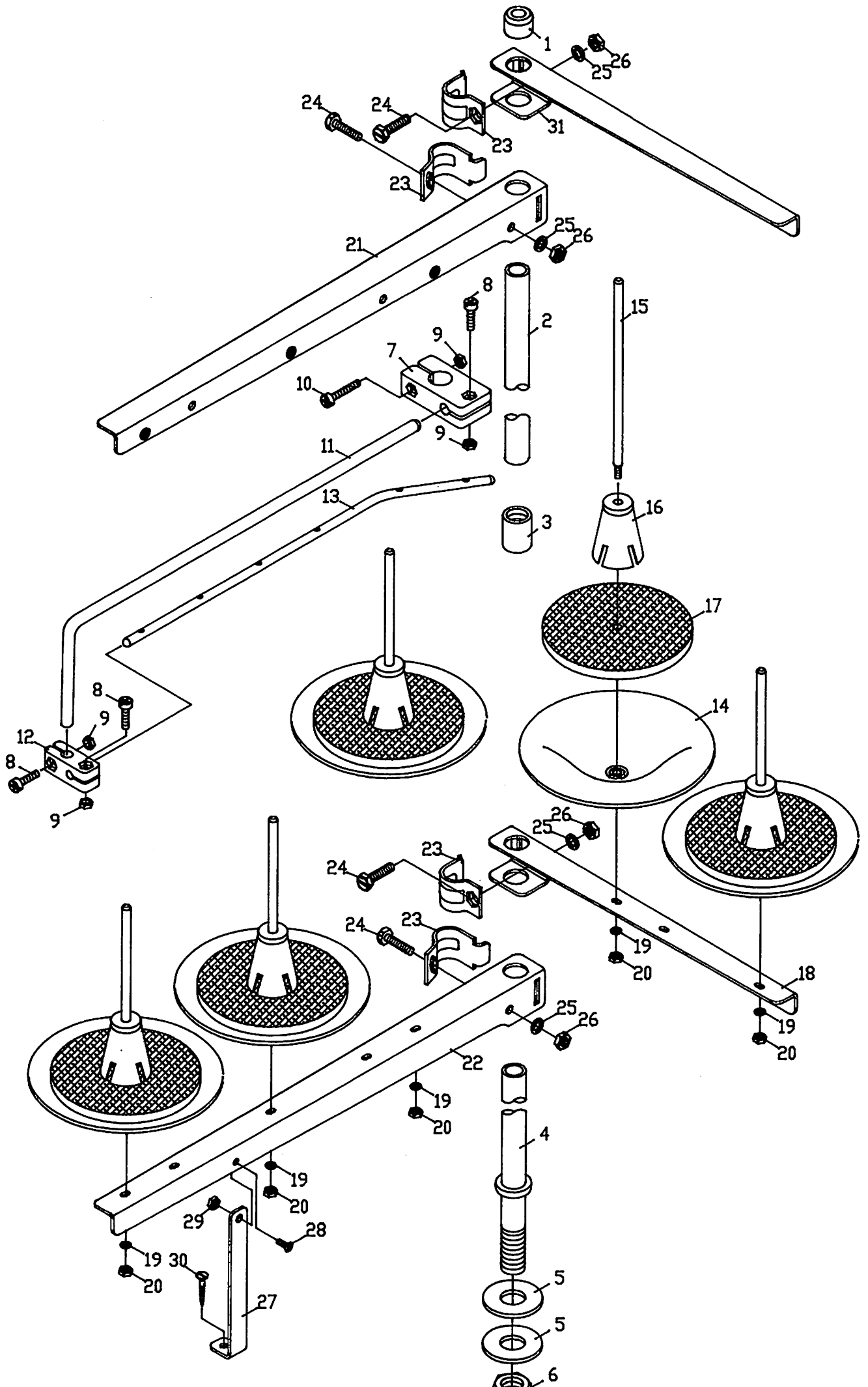
12. 導針與送布齒驅動機構 Needle Guide And Feed Dog Driving

序號 Ref.No.	圖號 Parts No.	名稱 Description	單位用量 Amt.Req.
1	C001201A300	導針擺動凸輪 Eccentric Cam	1
2	MN05320500A	螺絲 Screw	2
3	C001203E200	導針擺動曲柄 Lever	1
4	MB03201006A	螺絲 Screw	2
5	C001205E200	前導針座 Needle Guide Holder	1
6	-----	前導針器 Needle Guide	1
7	MB03200606K	螺絲 Screw	2
8	C001208E200	導針擺動曲柄 Lever	1
9	C001209E200	後導針座 Needle Guide Holder	1
10	-----	後導針器 Needle Guide	1
11	C001211B700	限動片 Stopper	1
12	MB85240806K	螺絲 Screw	3
13	C001027SP	彈簧銷 Spring Pin	1
14	C001214B700	壓板 Presser	1
15	ME02160404A	螺絲 Screw	2
16	C001216N700	緊迫簧片 Disc Spring	1
17	C001217E200	變距凸輪 Cam	1
18	C001218ST	止動銷 Stopper Pin	1
19	C001219C300	引動銷 Drive Pin	1
20	C001220B300	變距滑道 Slide Guide	1
21	MB85240605A	螺絲 Screw	1
22	MB02160404A	螺絲 Screw	1
23	MN04280600A	螺絲 Screw	2
24	C001224C100	連桿 link	1
25	MB05321809K	螺絲 Screw	2
26	C001226C300	連桿銷 Pin	1
27	C001227E200	懸臂式滑軌 Guide	2
28	MN06400600A	螺絲 Screw	2
29	C001229A300	變距滑塊 Slide Block	1
30	C001230A100	主送齒驅動座 Feed Dog Seat	1
31	C001231A100	副送齒驅動座 Feed Dog Seat	1
32	C001232B400	送布齒定位鍵 Locator Key	2
33	C001233G300	滑塊 Slide Block	1
34	-----	主送布齒 Main Feed Dog(See Left Page)	1
35	-----	副送布齒 Diff.Feed Dog(See Left Page)	1
36	C001236K700	送齒座側導塊 Guide Block	1
37	MB04281007K	螺絲 Screw	2
38	C001238C100	連桿 Link	1
39	C001239C300	連桿銷 Pin	1
40	6800	油線 Oil Wick	1
41	C001241C300	連桿銷 Pin	1
42	MN03200400C	螺絲 Screw	1
43	C001243H300	孔塞 Plug	2
44	C001244A100	曲柄 Shaft	1
45	C001245G300	滑塊 Slide Block	1
46	C001246A100	曲軸 Crank Shaft	1
47	6802	油線 Oil Wick	1
48	C001248D300	定位環 Collar	2
49	MN06400500A	螺絲 Screw	2



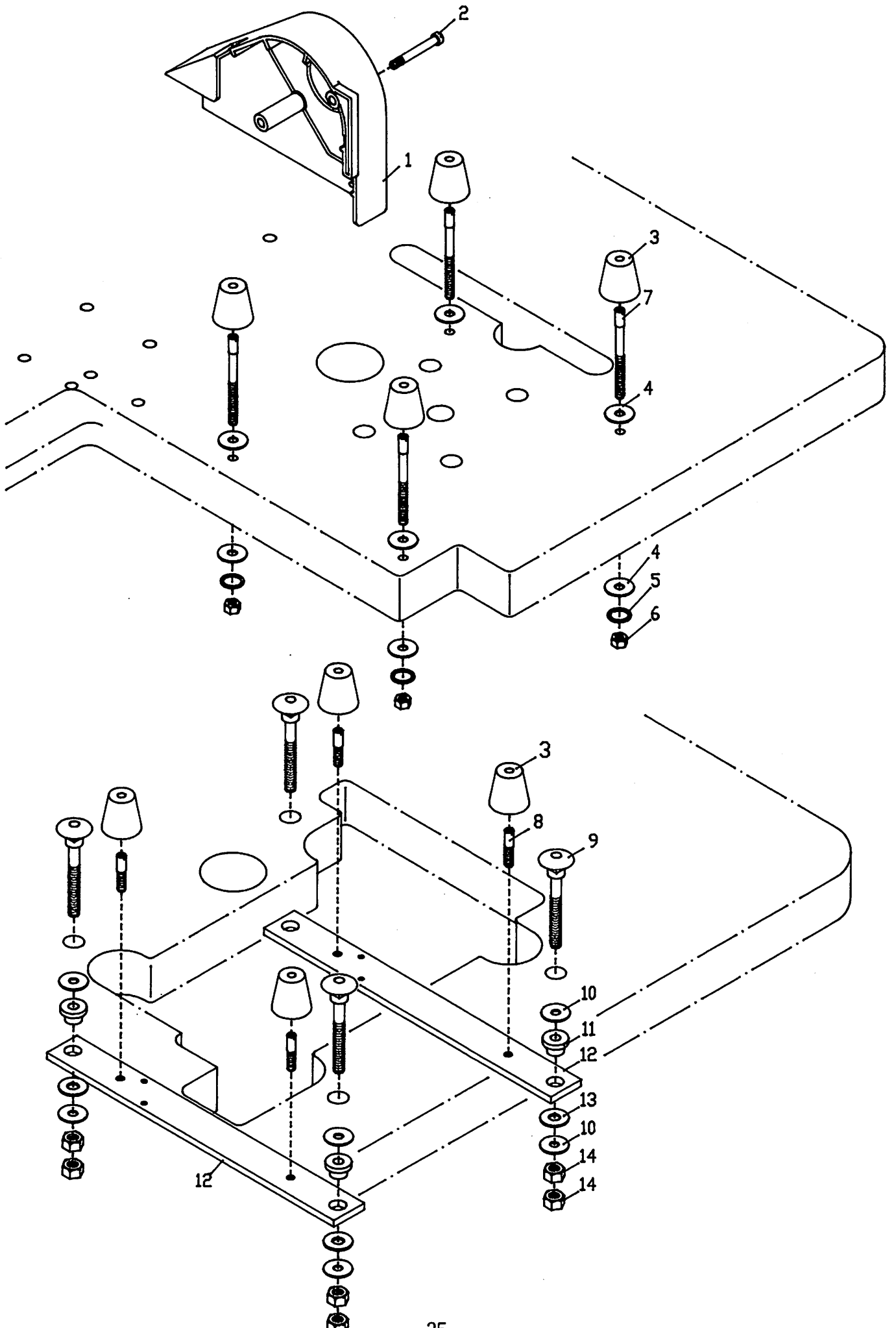
13. 潤滑系統 Lubrication System

序號 Ref.No.	圖號 Parts No.	名稱 Description	單位用量 Amt.Req.
1	C001301B700	承油盤 Oil Receiver	1
2	MC04280507D	螺絲 Screw	6
3	MA05320804B	螺帽 Nut	1
4	C001304G300	注油管 Oil Pipe	1
5	MN04280400A	螺絲 Screw	1
6	6800	油線 Oil Wick	
7	C0013070R	O形油環 O Ring	1
8	C001308B700	油管支架 Oil Tube Stay	1
9	C001309B700	油線壓板 Oil Wick Holder	1
10	MB04280807K	螺絲 Screw	1
11	C001311C200	封蓋 Oil Filter Cover	1
12	MB04281207K	螺絲 Screw	3
13	C0013130R	O形油環 O Ring	1
14	60315210F	過濾器 Oil Filter	1
15	C001315G300	過濾器接頭 Oil Filter Joint	1
16	C001316A800	扣簧 Filter Screen Clamp	1
17	C001317F700	網板 Filter Screen	1
18	C001318L700	羊毛氈 Felt	1
19	6692	油管 Oil Tube	
20	C001332A600	油管 Oil Tube	1
21	C001321G300	噴油嘴 Nozzle	1
22	6790	油管 Oil Tube	1
23	6031536A800	夾簧 Latch Spring	12
24	C001324D600	油面浮標 Indicator	1
25	C001325G300	單向閥 One Way Valve	1
26	6790	油管 Oil Tube	1
27	C001327G300	油管接頭 Oil Tube Joint	1
28	C001328A600	油管 Oil Tube	1
29	C001329G300	油管接頭 Oil Tube Joint	4
30	C001330G300	噴油嘴 Nozzle	1
31	C001331B700	浮標座 Indicator Support	1
32	C001332A600	油管 Oil Tube	1
33	C001333D300	油管 Oil Tube	1
34	C001334A600	油管 Oil Tube	1
35	MB04280807K	螺絲 Screw	1
36	6031533D300	螺樁 Stud	3
37	6031534E600	油封 Seal	10
38	C001338C300	螺樁 Stud	1
39	MC04280507D	螺絲 Screw	2
40	6030320A600	O形油環 O Ring	1
41	C001341A300	蝸母 Worm Gear	1
42	MH85240500A	螺絲 Screw	2
43	MM06401510A	螺絲 Screw	2
44	C001344G300	油管 Oil Tube	1
45	MA06400510B	螺帽 Nut	1
46	C001346G300	噴油嘴 Nozzle	1
47	C001347B700	隔板 Separate	1
48	C001348B700	油管支持臂 Oil Tube Holder	1
49	C001349B600	油面計 Oil Gauge	1
50	MN06400600A	螺絲 Screw	1
51	6800	油線 Oil Wick	1
52	C001352B700	泵座 Pump Seat	1
53	C001353A500	回收泵 Pump Body	1
54	C001354A500	外轉子 Outside Rotor	2
55	C001355A500	內轉子 Inside Rotor	2
56	C001356A500	壓出泵 Rotor Case	1
57	C001357D300	軸 Shaft	1
58	C001358B700	封蓋 Cover	1
59	MM04283007B	螺絲 Screw	2
60	MM04284007B	螺絲 Screw	2



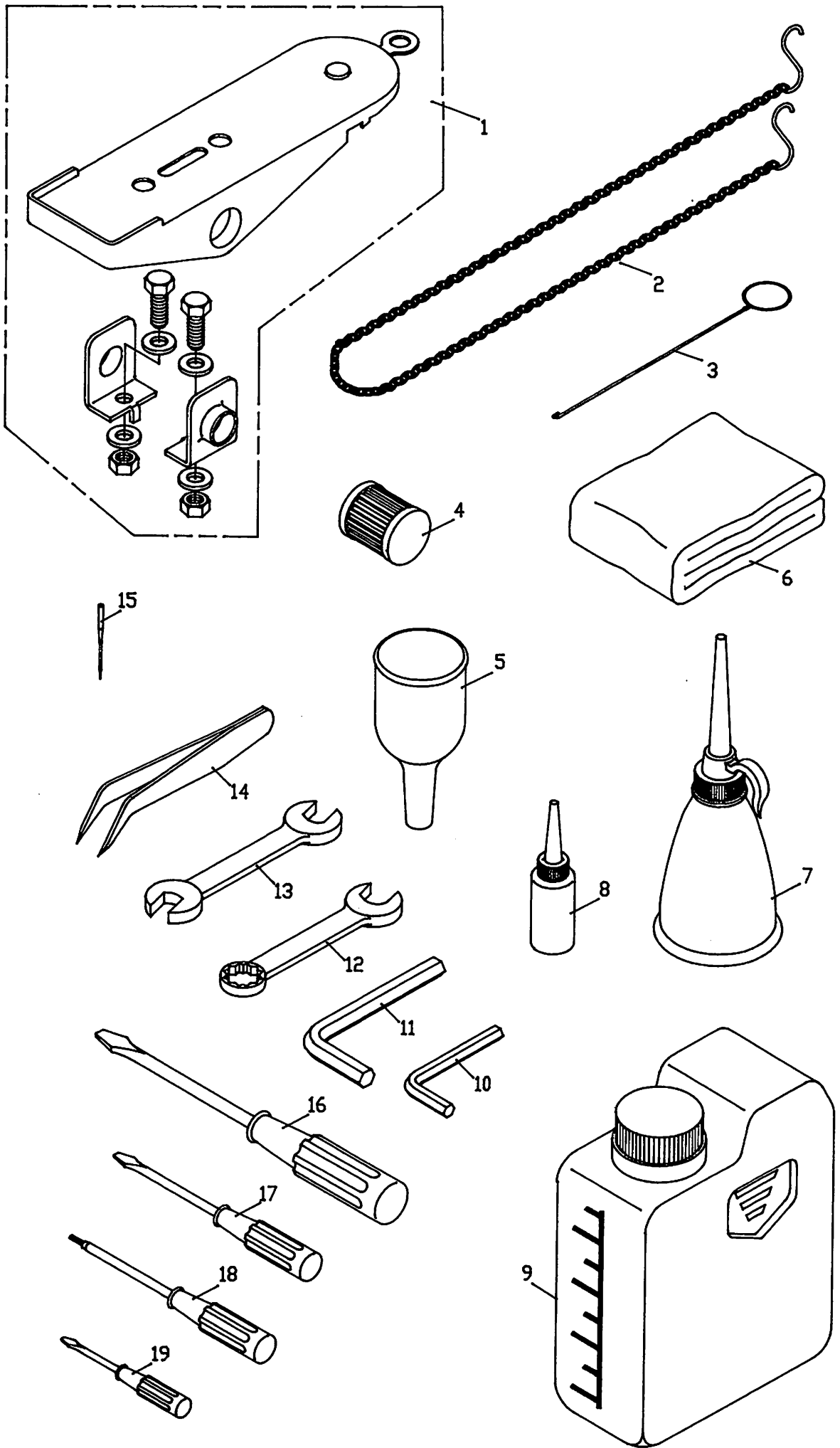
14. TS5 線架 Thread Stand TS5

序號	圖號	名稱	單位用量
Ref.No.	Parts No.	Description	Amt. Req.
1	67051	柱帽 Rod Cup -----	1
2	67052	上柱 Upper Thread Stand Rod -----	1
3	67053	接頭 Joint -----	1
4	67054	下柱 Lower Thread Stand Rod -----	1
5	67055	墊圈 Washer -----	2
6	67056	螺帽 Nut -----	1
7	67057	接頭 Bracket -----	1
8	67058	螺絲 Screw -----	3
9	67059	螺帽 Nut -----	4
10	670510	螺絲 Screw -----	1
11	670511	旋臂 Arm -----	1
12	670512	接頭 Bracket -----	1
13	670513	導線桿 Thread Guide -----	1
14	670514	線盤 Spool Set for SH6005 -----	5
15	670515	線盤軸 Spool Pin -----	5
16	670516	定心錐 Spool Retaining Fig -----	5
17	670517	緩衝墊 Seat -----	5
18	67061	線盤座 Spool Set Bracket -----	1
19	670519	彈簧墊圈 Spring Washer -----	5
20	670520	螺帽 Nut -----	5
21	670521	導線臂 Thread Guide -----	1
22	670522	線盤座 Spool Set Bracket -----	1
23	670523	夾板 Clamp -----	4
24	670524	螺絲 Screw -----	4
25	670525	彈簧墊圈 Spring Washer -----	4
26	670526	螺帽 Nut -----	4
27	670527	撐桿 Support Rod -----	1
28	670528	螺絲 Screw -----	1
29	670529	螺帽 Nut -----	1
30	670530	木螺絲 Wood Screw -----	1
31	670631	導線 Thread Guide -----	1



15. 裝載附件 Supporting Board

序號 Ref.No.	圖號 Parts No.	名稱 Description	單位用量 Amt.Req.
1	C001501DD600	皮帶蓋 Belt Cover	1
2	MB06404609K	螺絲 Screw	2
上載式安裝			
3	C001503A600	減震橡膠 Rubber Cushion	4
4	C001504PW	墊圈 Washer	8
5	C001505SW	彈簧墊圈 Spring Wahsher	4
6	MA06400510A	螺帽 Nut	4
7	MB06406507A	螺椿 Bolt	4
半沉式安裝			
3	C001503A600	減震橡膠 Rubber Cushion	4
8	MB06401607M	螺椿 Stud	4
9	MB08507827H	懸吊螺椿 Bolt	4
10	C001510PW	墊圈 Washer	8
11	C001511A600	橡膠環 Rubber Washer	4
12	C001512B700	車頭承板 Supporting Board	2
13	C001513A600	橡膠墊圈 Rubber Washer	4
14	MA08400613A	螺帽 Nut	8



16. 工具及附件 Accessories

序號 Ref.No.	圖號 Parts No.	名稱 Description	單位用量 Amt. Req.
1	6700	踏板組 Pedel Complete	1
2	6695	鍊條組 Chain Set	1
3	6840	穿線鋼絲 Threading Bar	1
4	60315210F	過濾器 Oil Filter	1
5	6720	漏斗 Oil Funnel	1
6	6846	防塵罩 Mechine Cover	1
7	6721	油壺 Oiler	1
8	6722	矽油 Silicon Oil	1
9	6715	油罐 Oil Container	1
10	6636	六角扳手 Spanner 3MM	1
11	6637	六角扳手 Spanner 4MM	1
12	6655	梅花扳手 Wrench 10MM	1
13	6625	開口扳手 Wrench 7/8MM	1
14	6690	鑷子 Tweezer	1
15	6725-10	備用針 Retainer Needle	5
16	6665	長起子 Screw Driver (Large)	1
17	6666	中起子 Screw Driver (Medium)	1
18	6675	六角起子 Spanner 2.5mm	1
19	6667	小起子 Screw Driver (Small)	1